

BAXI

Please leave these Instructions with the User.

Installation & User's Instructions for use with all Potterton Combination Boilers

Single Channel Wireless Programmable Room Thermostat

Kit No 5117391

BAXI

A Trading Division of Baxi Heating UK Ltd

Brooks House, Coventry Road, Warwick, CV34 4LL

After Sales Service 08706 096 096 Technical Enquiries 08706 049 049

Website www.potterton.co.uk

A BAXI GROUP company

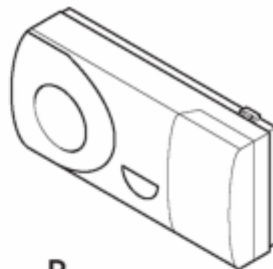
Comp No 5117490 - Iss 5 - 11/06

KIT CONTENTS IDENTIFICATION

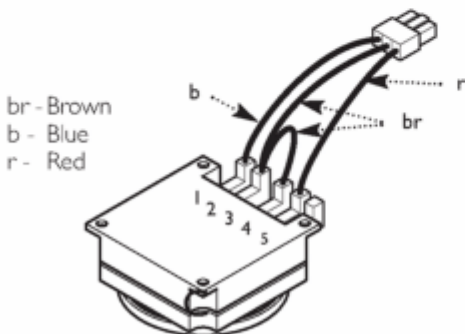
Key No	Description	No Off
A	Instructions	1
B	Programmable Room Thermostat (Transmitter)	1
C	Receiver Unit	1
D	Battery (1.5VL26/AA)	2
E	Screw Plastite Pozi	3



A



B



br - Brown
b - Blue
r - Red



D



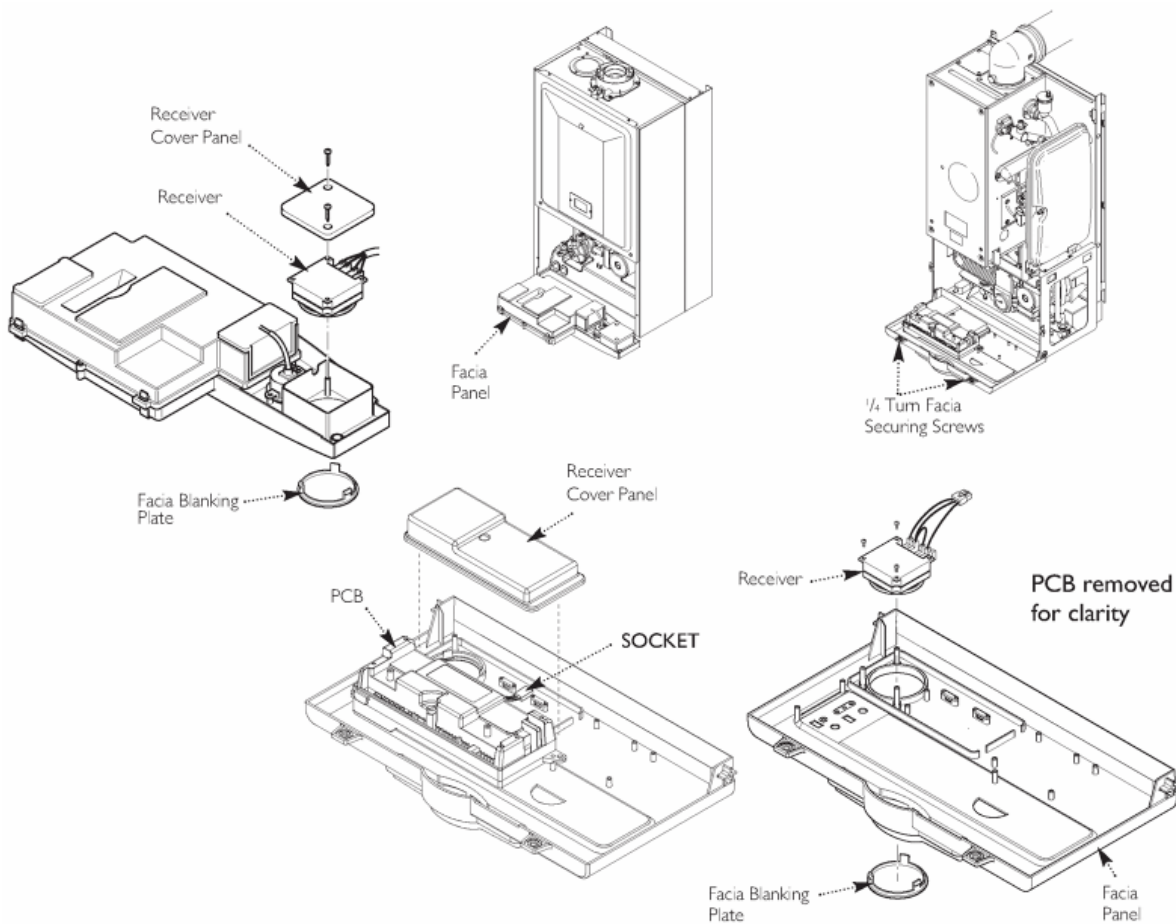
E

FITTING THE RECEIVER TO THE BOILER

WARNING: Isolate at supply before access.

1. Undo the screws securing the boiler outer case and remove the boiler outer case.
2. Undo the screws retaining the facia and hinge the facia down.
3. If there is a Receiver Cover Panel then undo the screws and remove it.
4. From inside the facia panel, spring the securing barbs of the facia blanking plate and push through the facia to release.
5. Take the receiver from the box and fit it to the facia panel.

NOTE: Do not fit the batteries to the transmitter at this stage.



page 1

MAKING THE ELECTRICAL CONNECTIONS - There are 3 possible wiring arrangements (a) and (b) are the most common

A. If there is a 3-way Block with 2 black, 1 blue and 1 brown wires connected near the Receiver then proceed as follows:

Remove and discard the wiring harness on the receiver.

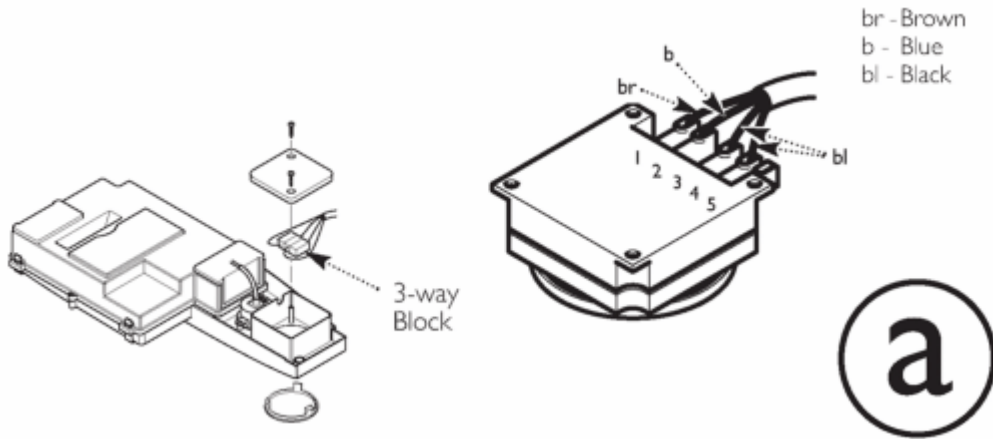
The Receiver wiring is integral to the boiler and the 3-way Block is only a temporary connection for when there is no integral control fitted.

Remove and discard the 3-way Block.

Connect:

the black wires to terminals 3 and 4,
the blue wire to terminal 2,
the brown wire to terminal 1 of the Receiver,
terminal 5 is not used.

Refit the Receiver Cover Panel, Facia and Outer Case.

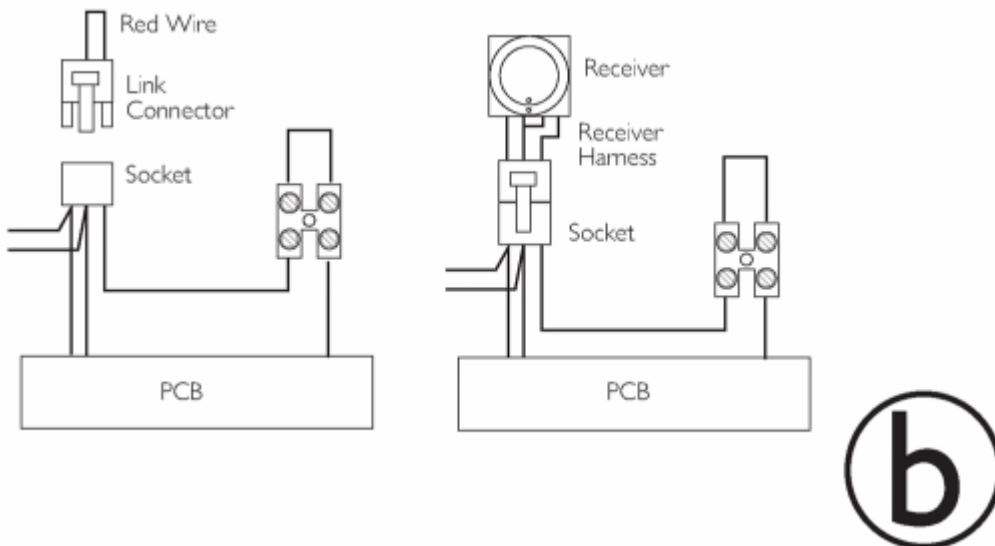


B. If there is a 3-way Connector with a red wire looped between 2 pins near the Receiver then proceed as follows:

Remove the Link Connector from the socket on the boiler harness and discard.

Connect the plug on the receiver harness into the socket.

Refit the Receiver Cover Panel, Facia and Outer Case.

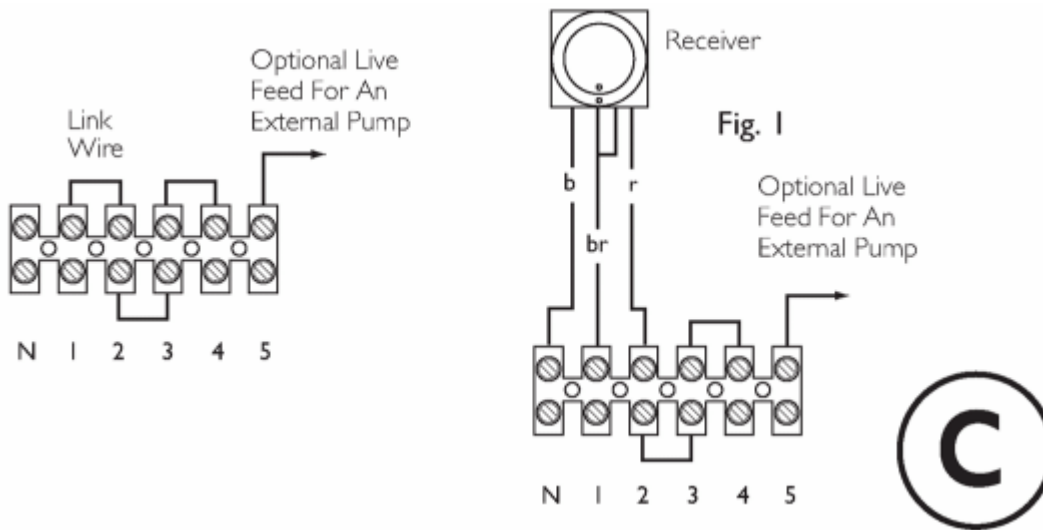


C. If there is no 3-way Block (a) and no 3-way Connector (b) then proceed as follows:

Cut off the Receiver 3-way Plug and strip the 3 wires for connection into the 6-way terminal block - [see Fig. 1](#).

Remove the link wire between terminals 1 & 2.
Wire the blue wire into the neutral terminal.
Wire the brown wire into the terminal 1.
Wire the red wire into terminal 2.

Refit the Receiver Cover Panel, Facia and Outer Case.



FITTING THE PROGRAMMABLE ROOM THERMOSTAT

1. Ensure that there is power to the boiler.
2. Remove the rear panel of the transmitter, now correctly fit the batteries (2 x 1.5V LR6/AA) into the transmitter. The transmitter will start sending signals and within 10 - 20 seconds the receiver will pick up a signal, this can be confirmed by switching on the transmitter to create a demand and observing the LED - see Operating Mode.
3. Secure the rear panel of the transmitter to a suitable wall in the living room or hall. Refit the transmitter in place on the rear panel.

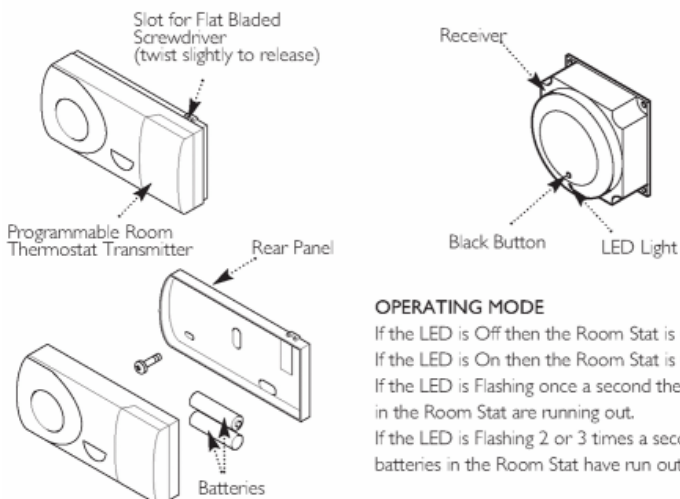
OPERATING RANGE: Within a building - up to 20 metres. Avoid positioning large metallic objects, including mirrors, in the line - of - sight between the transmitter and receiver.

NOTE: These components are 'RF Linked' and should be fitted as a pair, if they are not, then recommissioning will be required.

RECOMMISSIONING

Press and hold the black button on the receiver, the LED light will flash immediately. When it flashes again 2 or 3 seconds later release the button. The receiver LED light will remain constantly ON, to indicate that it is now waiting for a corresponding signal from the Programmable Room Thermostat Transmitter. The receiver will remain in this mode for 3 minutes only.

The transmitter will start sending signals and within 10 - 20 seconds the receiver will pick up a signal, this will be confirmed by the receiver's LED light going off. The transmitter and receiver are now 'linked' so that the receiver will switch ON and OFF according to the settings on the Programmable Room Thermostat Transmitter.



OPERATING MODE

- If the LED is Off then the Room Stat is Off.
- If the LED is On then the Room Stat is On.
- If the LED is Flashing once a second then the batteries in the Room Stat are running out.
- If the LED is Flashing 2 or 3 times a second then the batteries in the Room Stat have run out.

