

Baxi Room Thermostat

Part No. 7209716

ErP Information

Regulation EU811/2013, supplementing Ecodesign and Energy Labelling Directives 2010/30EU		
Part Number	This Thermostatic Control Device is rated	Correction Factor (Contribution to system energy efficiency)
7209716	Class 'I'	1 %



Fig.1

This kit contains: -
Room Thermostat (with additional set back/timer input)
Screws and fixing plugs

Bi-metal thermostatic movement with accelerator resistor for close temperature regulation, hence three-wire connection required. For 230V 50Hz switched circuits only. Neutral connection required for accurate temperature regulation. Second neutral terminal provided for neutral continuity where needed.

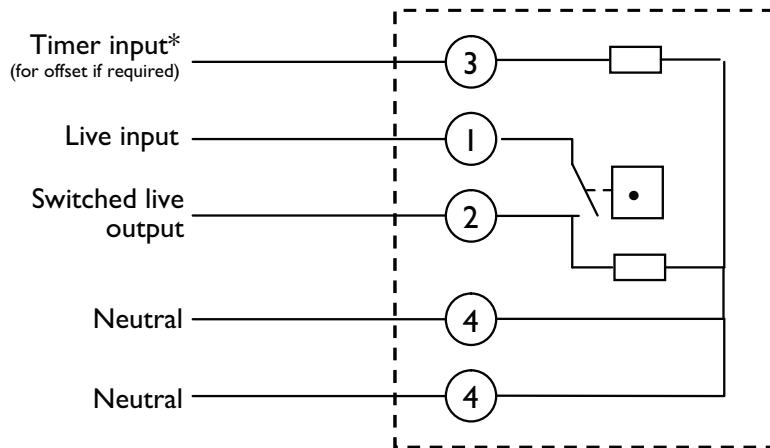


Fig. 2

Features:

- Size: 82 (w) x 82 (h) x 33 (d) mm
- Range: 5 – 30°C
- Frost protection setting
- Differential: 0.5°C
- Rating: 10A at 240V AC (4A inductive)
- Double insulated
- Switch type: Single pole single throw
- Recommended for installation by a qualified electrician
- * Auxiliary input (from e.g. timer) provides automatic set back reduction of 4°C

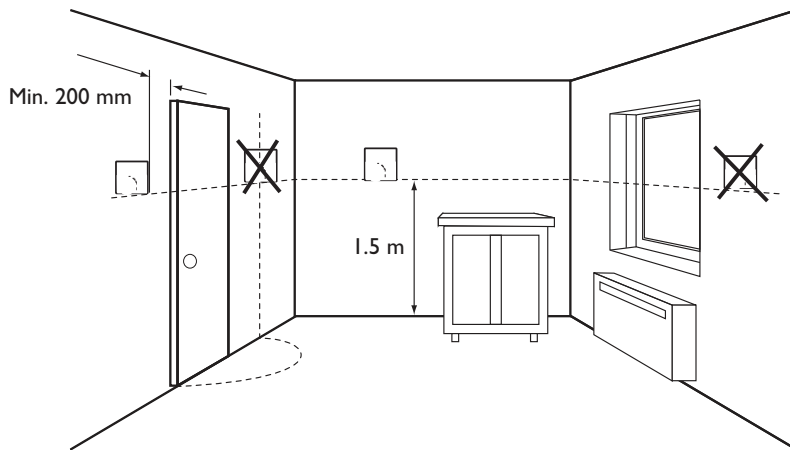


Fig. 3

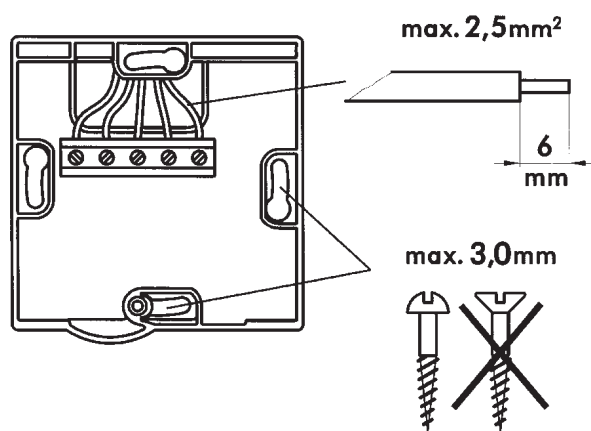


Fig. 4

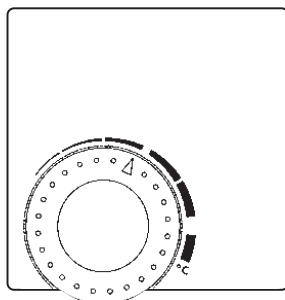


Fig. 5

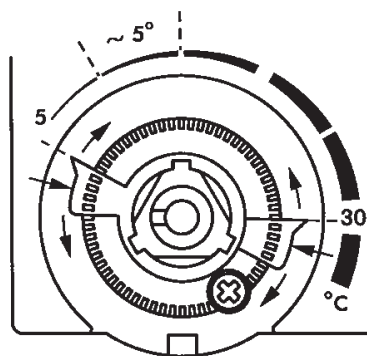


Fig. 6

Assembly / Installation

1. Lift the adjusting knob with a suitable tool.
2. Release the fastening screw.
3. Remove the upper part of the case.
4. Determine the appropriate type of installation.
5. The unit must be connected by a qualified person exercising due care. Switch off the heating system before assembly. Check and make sure that the connecting wires are not live.
6. Determine the temperature range.
7. Put the setting knob on the shaft. Note the markings!
8. Connection of time switch
 - Connect terminal 3
 - Lower temperature ON
 - Set the room temperature
 - Lower temperature OFF
 - Set the room temperature

Accuracy of control is only achieved if the stated current values are adhered to. Do you know how much current is drawn by the consumer? **If in doubt, check!**

Select the right type of connection terminals when making the connection.

- Guide the connecting wires through the opening in the unit's base.
- Mount the base on a flat, firm surface or flush-mounted socket.
- Strip the connection wires properly.

Technical Data


Weight 0.09kg
 Connection 3-wire
 Power Consumption approx. 200 mW
 Switching Capacity

- with ohmic 10A/250V~
- with inductive load 4A/250V~
- minimum 0.1A/230V~

 Switching output Open (with increasing temperature)
 Switching contact Ag Ni
 Ambient temperature T30
 Protection class II after suitable installation
 Type of installation Surface mounting
 Type of connection Screw terminal with wire fuse
 Day temp. regulation range +5°C to +30°C
 Overnight temperature drop approx 4 K
 Temp. switching differential approx 0.5 K
 Feedback Thermal
 Storage temperature -20°C to +70°C
 Type of protection IP 20
 Radio interference suppression as per EN 55014

Baxi Customer Support

 **0344 871 1525**

 Baxi
 Brooks House,
 Coventry Road,
 Warwick, CV34 4LL

 **baxi.co.uk**



e&oe

All descriptions and illustrations provided in this document have been carefully prepared but we reserve the right to make changes and improvements in our products which may affect the accuracy of the information contained in this leaflet. All goods are sold subject to our standard Conditions of Sale which are available on request.