

BAXI

Electro-Mechanical 24hr Timer & Housing Kit

For Use on

Baxi Neta-tec Combi GA
Baxi Duo-tec 2 Combi GA

Kit No 720971401



Contents

- Timer Unit
- Cable strain relief and screws
- 4-core cable
- Fitting and Users Instruction

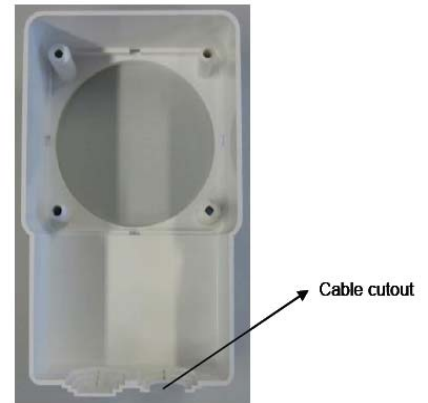
These instructions must be used in conjunction with the appliance Installation and Servicing Instructions

Installation Notes

Installation should be carried out in accordance with the current edition of the I.E.E. Wiring Regulations.

The timer should not be mounted on an unearthed metal or metalized surface.

When cutting out the required apertures in the cover to accommodate the cable it should be ensured that no sharp edges remain.



Installation

Switch the supply off at the mains.

Remove the plastic timer protective cover.

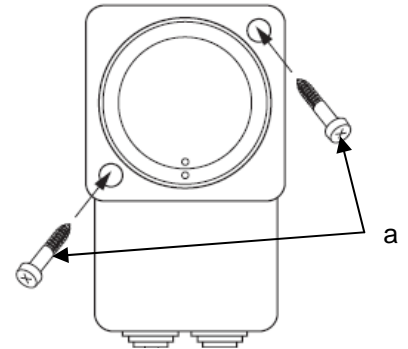
Loosen screws (a) and separate the housing from the timer base.

Pull the timer module off the back plate.

Offer the back plate to the mounting location and mark fixing points b, c and d.

Secure the back plate to the wall.

Push the timer module onto the back plate, ensuring good engagement of the tab terminals with the tab receptacles.



Wiring the Timer

Wire the cable to the terminals as follows.

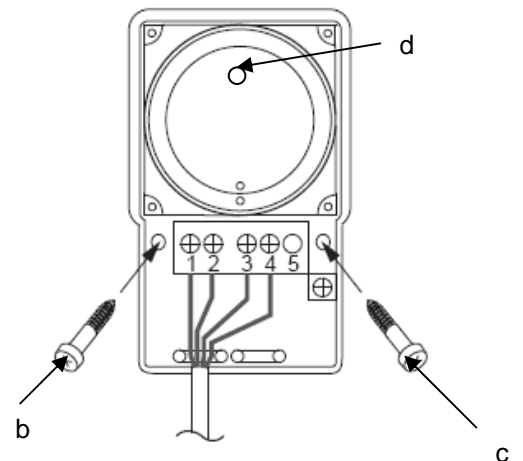
1. Brown
2. Blue
3. Black
4. Grey

Secure the cable with the clamp provided and check the wiring.

Cut out the cable entry on the underside of the housing as necessary to accommodate the cable.

Refit the housing to the timer back plate.

Refit the plastic timer protective cover .



Wiring the Appliance

Remove the appliance door.

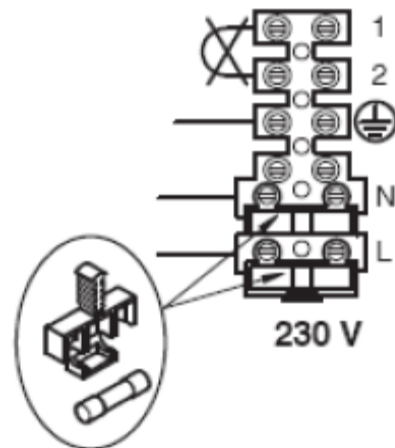
Route the incoming cable through one of the available grommets in the boiler base.

Remove the boiler terminal wiring cover.

Remove the yellow link wire from the Mains Voltage Terminal Block - M1.

Wire the cable to the boiler Mains Voltage Terminal Block - M1 as follows.

L	Brown
N	Blue
1	Grey
2	Black



When using with other control devices please consult the appliance Installation and Servicing Instructions for wiring details.

Setting the Timer - 24 hour Electro Mechanical

The Electro-Mechanical Timer allows the central heating system to be set every 15 minutes.

Using the three position switch the timer will allow either constant operation, timed operation or central heating off.

Move the switch button by sliding to the desired position.

Three position switch (Fig. A)

- I** **Constant (Top position):** The heating will be on constantly irrespective of the position of the tappets. The heating will be controlled by the main thermostat on the appliance and/or any external controls.
- ⌚** **Timed (Central position):** The heating will operate according to the position of the tappets and be controlled as above.
- 0** **Off (Bottom position):** No central heating. Domestic hot water will operate on demand.

To set the time of day

Turn the timer outer bezel clockwise, to align the pointer with the correct time to the nearest 15 minutes ensuring that A.M./P.M. is considered.

Do not at any time attempt to turn the bezel anticlockwise.

To set the timed heating program

Decide which times of the day the central heating is required.

The heating will operate when the white tappets are set to the outer edge of the bezel.

To ensure the heating stays OFF set the required tappets inwards towards the centre of the bezel.

Each tappet represents 15 minutes.

For example: If the heating is not required between 10 A.M. and 11 A.M. the four tappets anticlockwise from the 10 A.M. will be set inwards (Fig. B).

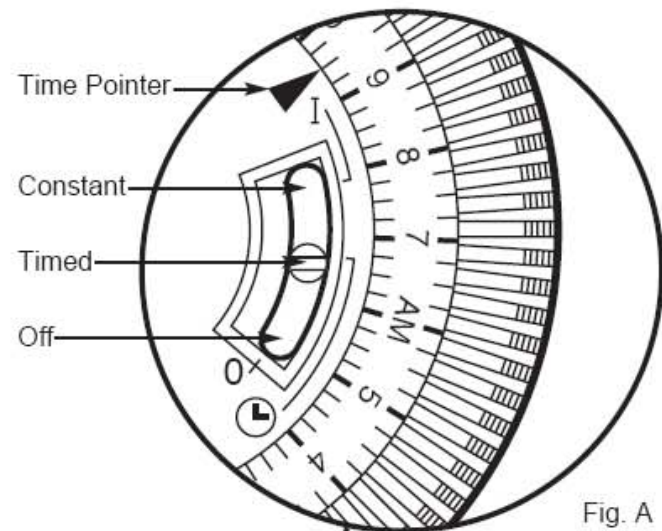


Fig. A

Rotate to adjust time

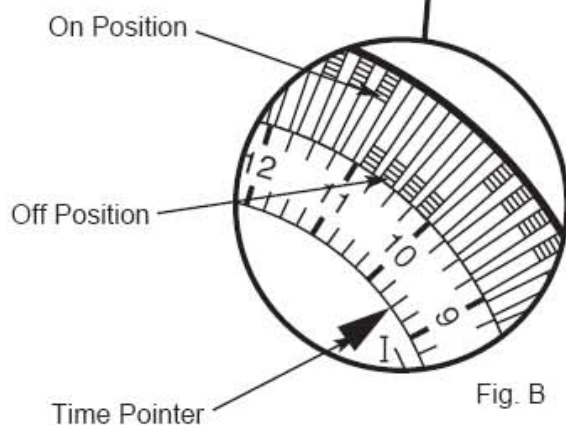
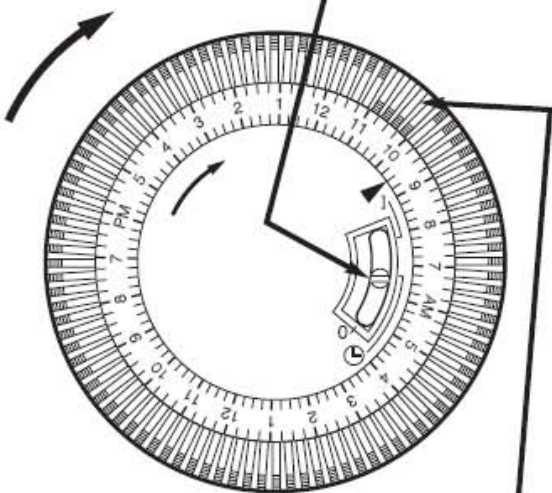


Fig. B

BAXI
 A Trading Division of Baxi Heating UK Ltd (3879156)
 Brooks House, Coventry Road, Warwick. CV34 4LL
 After Sales Service 0844 871 1525 Technical Enquiries 0844 871 1555
 Website www.baxi.co.uk
 e&oe

PART OF BDR THERMEA