

Setting the Timer - 24 hour Electro-Mechanical

The Electro-Mechanical Timer allows the central heating system to be set every 15 minutes.

Using the three position switch the timer will allow either constant operation, timed operation or central heating off.

Move the switch button by sliding to the desired position.

Three position switch (Fig. 3)

- I Constant (Top position):** The heating will be on constantly irrespective of the position of the tappets. The heating will be controlled by the main thermostat on the appliance and/or any external controls.
- ⌚ Timed (Central position):** The heating will operate according to the position of the tappets and be controlled as above.
- 0 Off (Bottom position):** No central heating. Domestic hot water will operate on demand.

To set the time of day

Turn the timer outer bezel clockwise, to align the pointer with the correct time to the nearest 15 minutes ensuring that A.M./P.M. is considered.

Do not at any time attempt to turn the bezel anti-clockwise.

To set the timed heating program

Decide which times of the day the central heating is required.

The heating will operate when the white tappets are set to the outer edge of the bezel.

To ensure the heating stays OFF set the required tappets inwards towards the centre of the bezel.

Each tappet represents 15 minutes.

For example: If the heating is not required between 10 A.M. and 11 A.M. the four tappets anticlockwise from the 10 A.M. will be set inwards (Fig. 4).

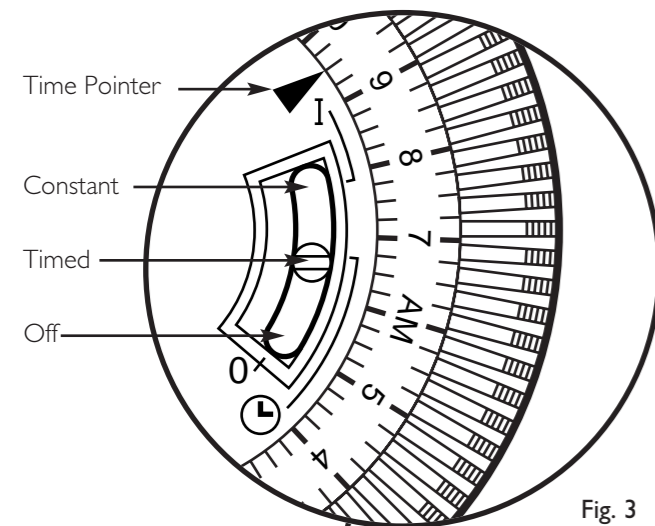


Fig. 3

Rotate to adjust time

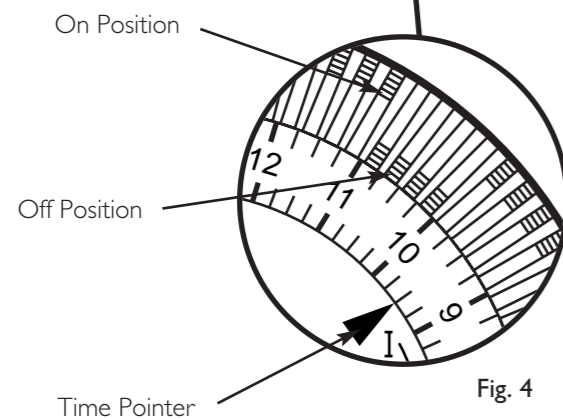
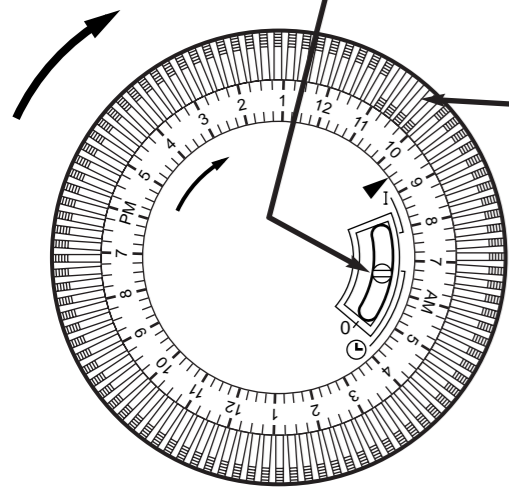
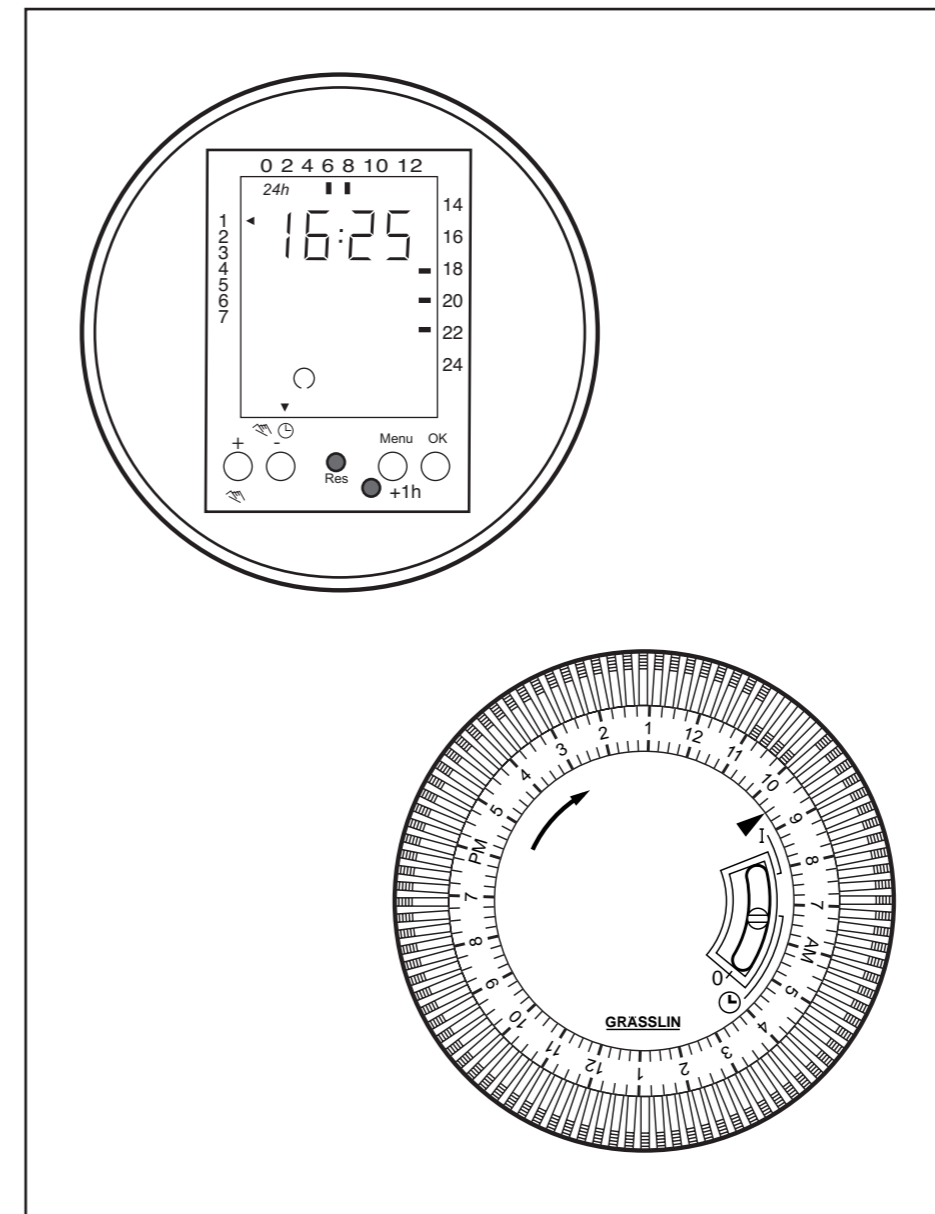


Fig. 4

Integral 24 Hour Electro-Mechanical & 7 Day Electronic Timer Kits

Kit No. 247206

Kit No. 247207



Please leave these instructions with the user

Fitting Instructions (both types)

1. Ensure that the electrical supply to the boiler is isolated then lower the facia cover panel forwards (where fitted) and undo the screws retaining the facia/control panel. Hinge the facia/control panel down.

2. Undo the screws securing the timer cover panel and remove the panel. Remove and discard the clock blanking panel from the facia/control panel.

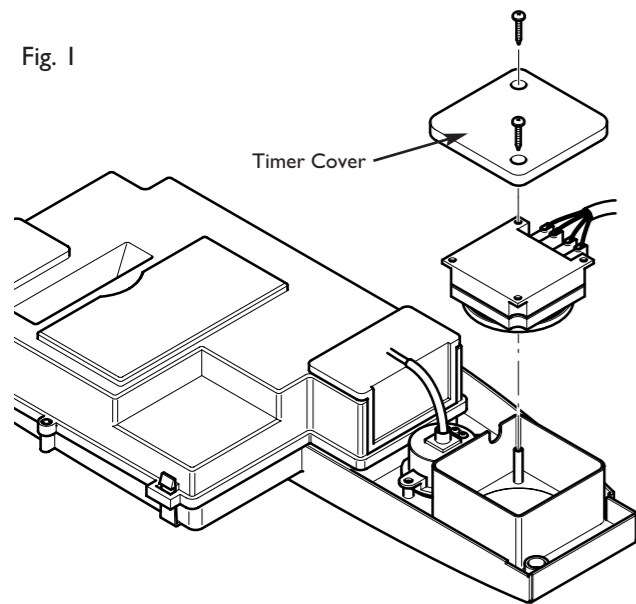
3. The timer wiring is integral to the boiler and connected to a terminal block. Discard the terminal block once the wiring is removed. Connect the black wires to terminals 3 and 4, blue to terminal 2 and brown to terminal 1 of the timer. Insert the timer into the control panel and secure with the cover and screws previously removed (Fig. 1).

4. Hinge the facia/control panel back into position and resecure. Apply the label supplied in the kit to the space provided on page 2 of the boiler Users Operating Instructions.

6. Continue with the installation and commissioning of the appliance. Reinstall the electrical supply to the appliance. Set the clock as described in these instructions and according to the requirements of the user. Instruct the user in the operation and setting of the timer.

IMPORTANT: When the boiler selector switch is in the '0' (Off) position the electrical supply to the boiler is isolated. The timer may require resetting once the boiler selector switch is set to either the DHW or CH mode.

Fig. 1



Setting the Timer - 7 Day Electronic (Fig. 2)

General Note

Whilst setting the programmer any symbol or value which is flashing is the current option or value to be changed. Options and values are adjusted by pressing the + or - buttons and then confirmed by pressing OK. If a flashing value or option is already at the required setting just press OK and continue with the next choice.

Before programming for the first time or to clear existing programmes press the 'Res' button with a pencil point or similar. The symbol '24h' will appear.

Symbols

● = ON Symbol ○ = OFF Symbol ⏸ = Manual Mode ⌚ = Timed Mode

Setting the Time and Day

Use the + or - button to change the display format from 24 hour to AM/PM if required. Press OK.

Select the hour with the + or - button and then press OK.

Select the minute with the + or - button and then press OK.

Select the day with the + or - button and then press OK.

(The day is indicated by the numbers vertically at the left hand side of the display 1 = Monday, 2 = Tuesday etc. Pressing + or - moves the arrow in the display to the required day).

Setting the ON & OFF times

After setting the day and pressing OK 'P 01' will be displayed. This is the first of three pre-set programmes available.

P 01: Monday to Sunday ON at 06:00 OFF at 22:00

P 02: Monday to Sunday ON at 07:00 OFF at 12:00 ON at 14:00 OFF at 20:00

P 03: Monday to Sunday ON at 07:00 OFF at 12:00 ON at 14:00 OFF at 18:00 ON at 20:00 OFF at 22:00

P 01, P 02 or P 03 can be selected by pressing the + or - buttons then pressing OK. The first ON time of the programme will be displayed. Press Menu to continue and return to normal operating mode.

After P 03 it is possible to set your own programme. Using the + or - buttons press until 'P --' is displayed. Press OK and 'prog 01' is displayed. By pressing OK again it allows the first ON time to be set. Using the + or - buttons adjust the hour, then press OK. Repeat to set the minute.

The arrows at the left of the display will all show. Press the + or - buttons to select one of the following options:-

1-7 (Mon. - Sun.), 1-6 (Mon. - Sat.), 1-5 (Mon. - Fri.), 6 & 7 (Sat. & Sun.) or any individual day until the required days are displayed.

Once the required day or group of days has been selected press OK.

This programmed ON time is now stored in the memory. The next option is 'prog 02', which is an OFF time. This is set the same way as the ON time, the day or days selection being carried forwards. When OK is pressed the OFF time is stored in the memory and 'prog 03' displayed. This is the next ON time. Continue programming until all selections are complete. Press MENU to return to the normal operating mode. See back page for examples.

Note: Programmed ON and OFF times are set as pairs. You cannot set different days for the OFF time when compared to the ON time (i.e. if the first ON time for Monday - Friday is 07:00, the corresponding OFF time must also be set for Monday - Friday).

To Review or Alter Existing Selections

Press MENU and then press OK four times. The first programme ON time is displayed ('prog 01'). To check other programme ON and OFF times use the + and - buttons to view them. To alter any programme ON or OFF time press OK and the value to be changed will flash. This can be changed with + or - by the same process as described above in 'Setting the ON & OFF times'.

To Cancel a Programme

Follow the procedure 'To Review or Alter Existing Selections'. With the programme to be cancelled displayed change the hour value to two dashes (--). These will appear once the hour has been set beyond 23. The programme will be deleted as will the corresponding paired entry.

To Override the Programme

By pressing the + key in normal operating mode the programme is overridden. If an ON time is in operation then it will be turned OFF and vice versa. Pressing a second time reverts to normal mode. The ⏸ symbol will be displayed when in 'override' mode.

To Change the Clock from Summer to Winter (BST)

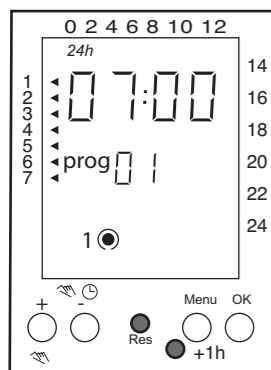
Using a pencil point or similar press the +1h button to add one hour to the display during summer, and to deduct one hour for winter operation.

Power Backup & Additional Display Features

In instances of mains power interruption the timer integral battery ensures that the time of day will continue to be displayed and the switching programme operates. Some parts of the display will not be visible until mains power is restored to the unit.

The display also has further graphics which show the approximate times of ON operation, in the form of arrows against the numbers along the top and right hand side. Also shown is a switch output indicator at the bottom right. The arrow will be above either the clock symbol (indicating timed output) or the hand symbol (indicating manual override).

Example A shows how the display will appear when the heating is set to come ON at 07:00 every morning.



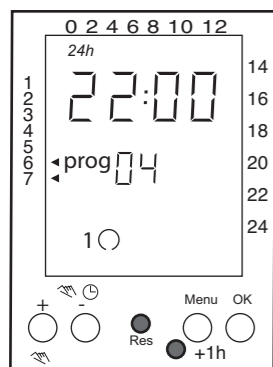
Example A

Example B shows the OFF time that corresponds with the ON time in example A.



Example B

Example C shows an OFF time that is only set for days 6 & 7 (Saturday and Sunday).



Example C

ON times will always be denoted by an odd 'prog' number i.e. 'prog 01', 'prog 03', 'prog 05' etc. and the OFF times by even 'prog' numbers i.e. 'prog 02', 'prog 04' etc.

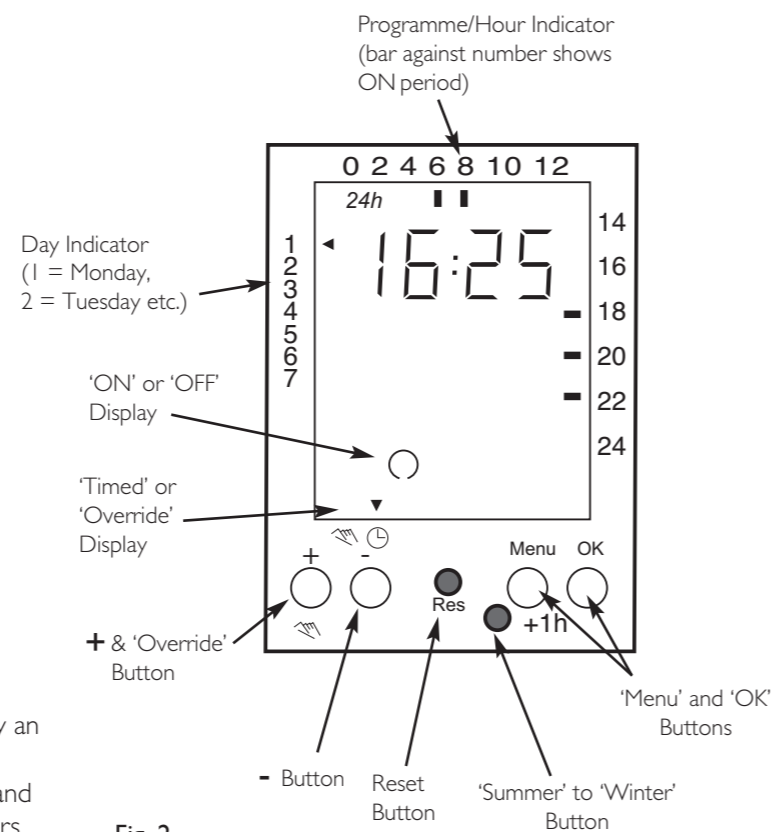


Fig. 2