

Kit No. 7659335

Guidance Notes

Stand Off Kit

**READ THESE INSTRUCTIONS IN CONJUNCTION WITH THE BOILER
INSTALLATION MANUAL & STAND OFF TEMPLATE**

IMPORTANT NOTES

Please read before continuing with the installation !

- The Stand Off Kit allows the passage of the gas, primary & DHW pipework upwards and to the rear of the appliance. It comprises left and right side brackets and upper and lower crossmembers for added rigidity. An extended Safety Pressure Relief Discharge Pipe is also supplied.
- The Safety Pressure Relief and Condensate pipes must be routed downwards from the boiler. If the boiler is installed in a cellar these may be connected to the MULTIFIT Boiler Discharge Pump, in which case the Remote Secondary Safety Relief Discharge must also be used.
- Consideration must be given to the position of the flue in instances where it is to the rear of the appliance. Any vertical pipework must be routed such that it clears the flue.

FITTING THE STAND OFF KIT

- Using the template supplied (Fig. 1) mark the position of the fixing holes, flue centre and pipes. The upper fixing holes **MUST ALWAYS** be used - select two of the lower four positions.
- Drill the wall using an 8mm masonry bit, to a depth of at least 50mm. Insert the anchor plugs supplied into the holes.
- Assemble the left and right hand brackets with the upper and lower crossmembers. The tongues on the upper crossmember locate (Figs. 2 & 3) in the slots in each bracket.
- Secure using the screws supplied. The flange on the upper crossmember must be to the rear.
- Attach the Stand Off frame to the wall with the fixing screws provided.
- Use the copper tails supplied with the boiler, except the PRV pipe. This should be discarded and the one provided with the Stand Off used (Fig. 4) which is approximately 40mm longer.
- The primary & DHW tails must be oriented such that the shorter leg is set to the rear and in a vertical plane (Fig. 5).
- The lower crossmember may be temporarily removed to allow access for soldering to the copper tails if required.
- Fig. 6 shows suggested pipe routes.

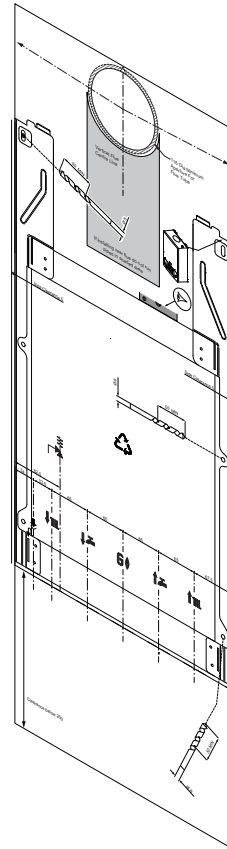


Fig. 1

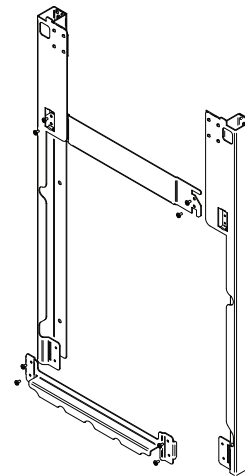


Fig. 2

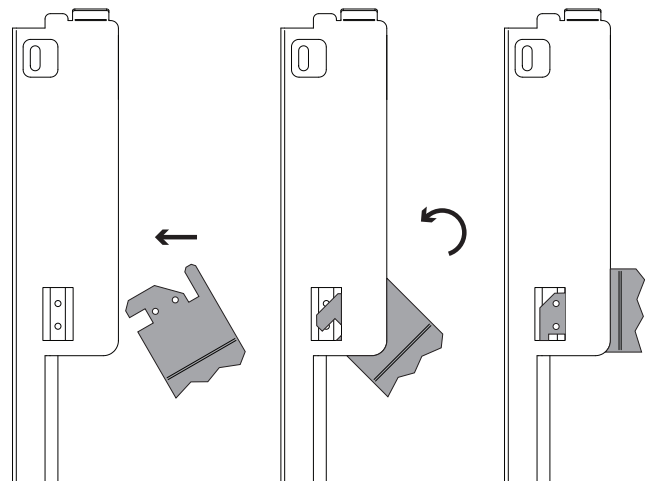


Fig. 3

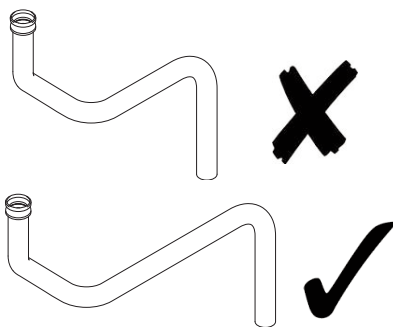


Fig. 4

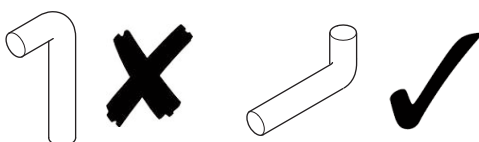
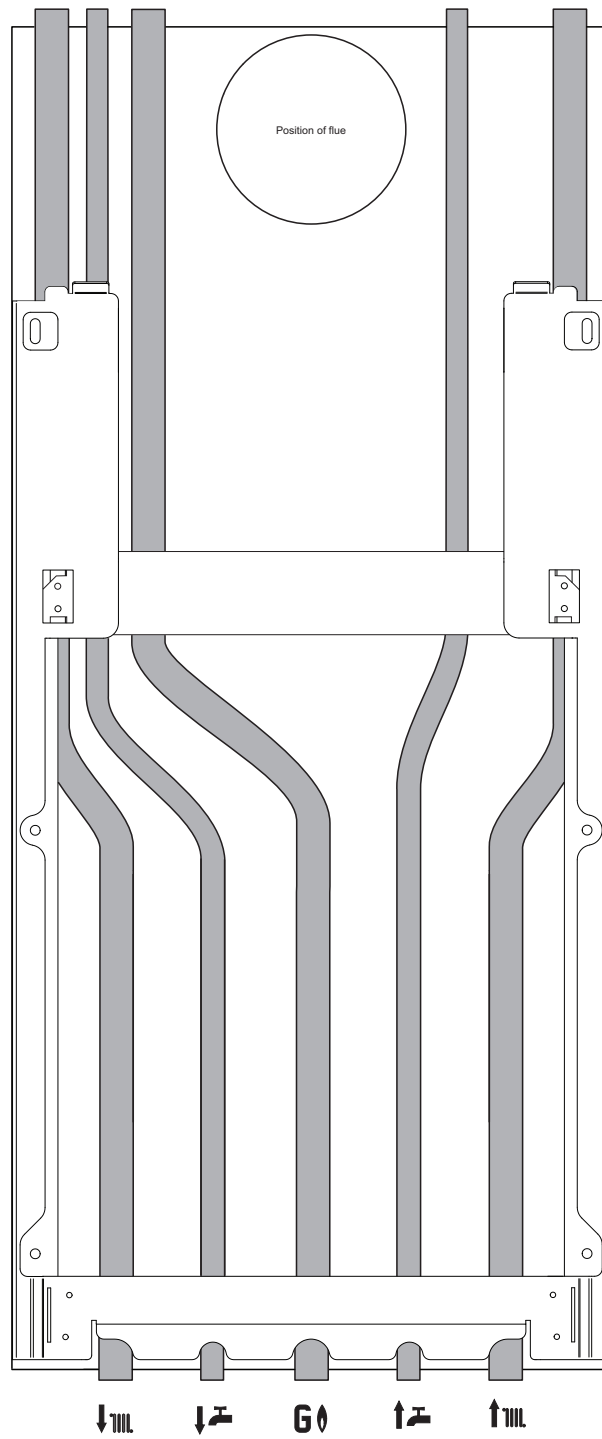


Fig. 5



Suggested pipe routes. Gas is shown routed to the left, but may also be at the right. Each installation will differ in detail, some pipework possibly being beneath the boiler for example.

Fig. 6

Baxi Customer Support



0344 871 1545



Baxi
Brooks House,
Coventry Road,
Warwick, CV34 4LL



baxi.co.uk

e&oe

All descriptions and illustrations provided in this document have been carefully prepared but we reserve the right to make changes and improvements in our products which may affect the accuracy of the information contained in this leaflet. All goods are sold subject to our standard Conditions of Sale which are available on request.