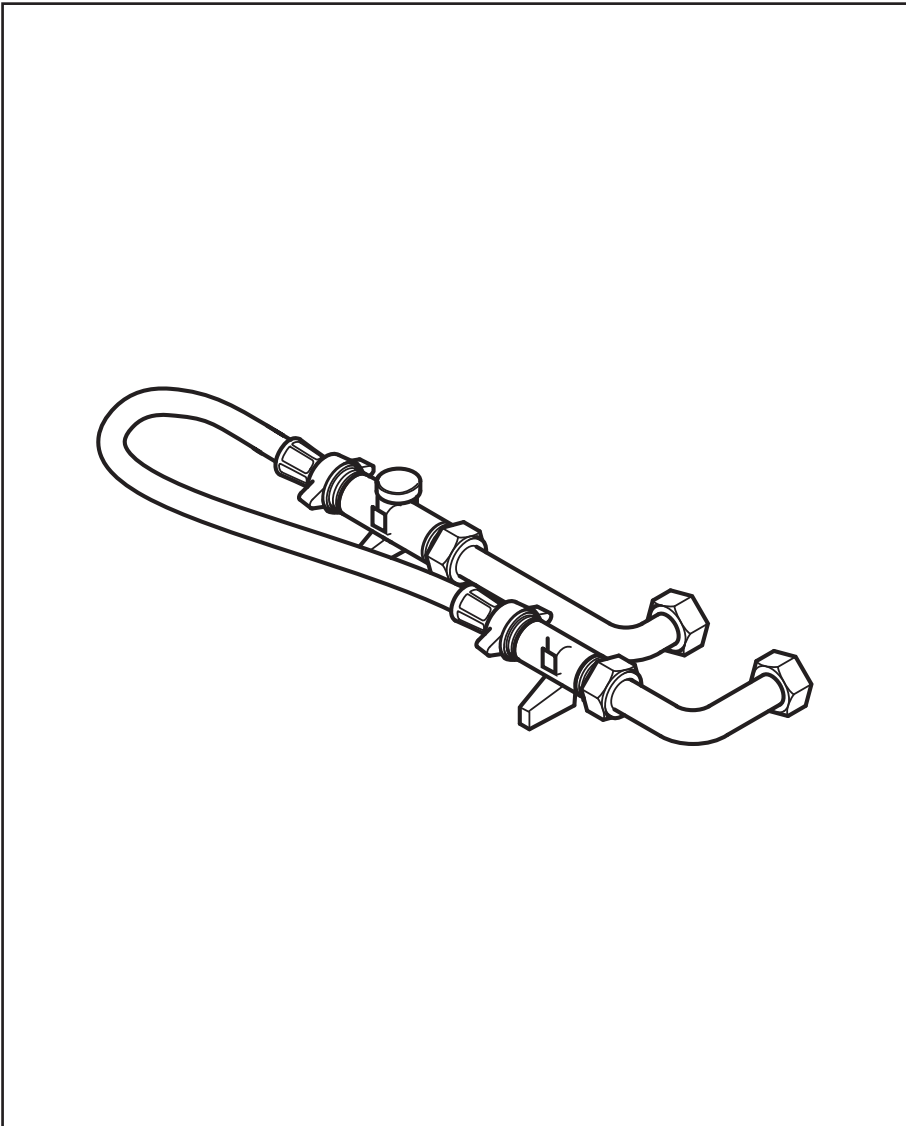




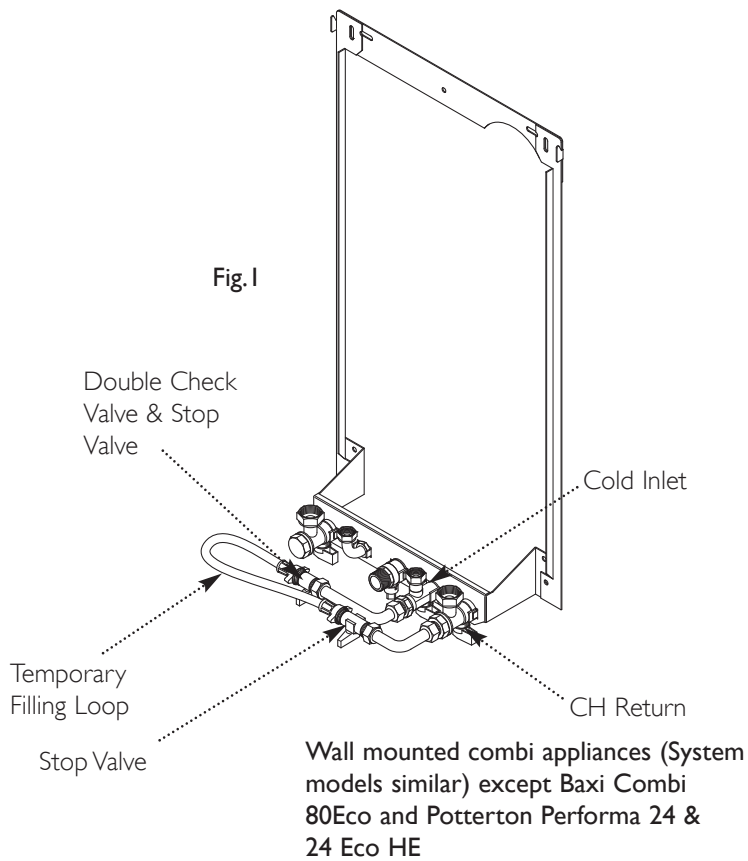
FITTING INSTRUCTIONS

Filling Loop Kit

Kit No. 248221



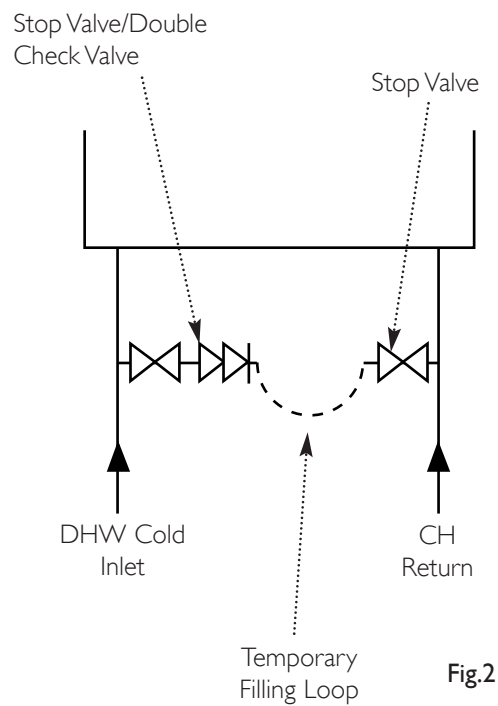
Please leave these instructions with the Installation & Servicing Instructions.



Filling Loop Kit

To fit the filling loop kit proceed as described below and read Sections 6.0 "System Details" & 8.0 "Installation" of the appliance Installation & Servicing Instructions.

1. All appliances except the Baxi Combi 80Eco and Potterton Performa 24 & 24 Eco HE feature a wall plate incorporating a tap rail that enables pre-plumbing of the system without the boiler (Fig.1).
2. The Baxi Combi 80Eco and Potterton Performa 24 & 24 Eco HE are supplied with loose taps that are connected to the boiler during installation (not shown).
3. The filling loop is to be connected between the mains cold water inlet and central heating return isolation taps.
4. The loop and valves must be connected as shown in the schematic diagram (Fig. 2).



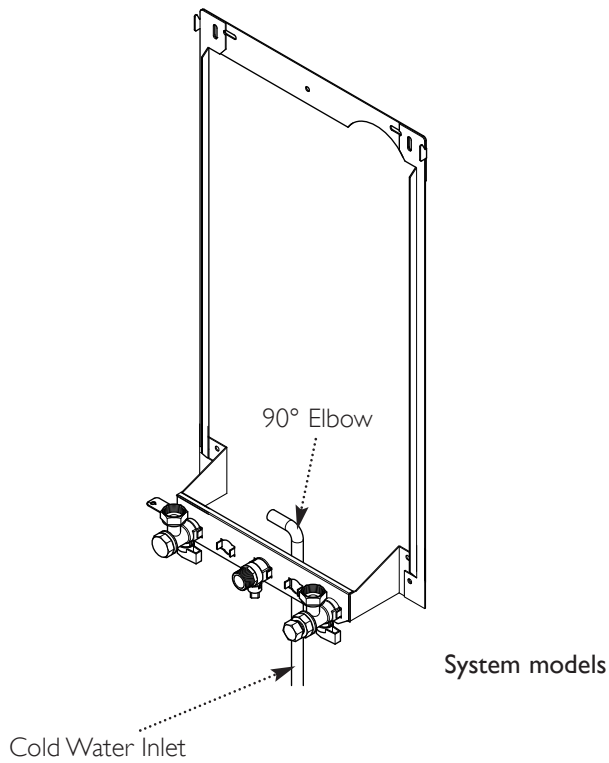
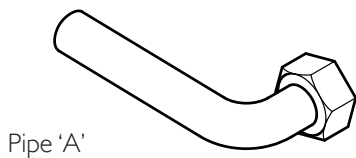
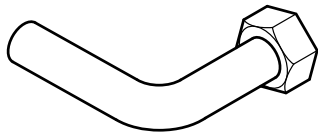


Fig.3



Pipe 'A'



Pipe 'B'

Fig.4

5. There is no cold water isolation tap on Baxi System and Potterton Performa System/System HE boilers. To utilise the kit for System models the cold water feed should terminate in a left facing 90° elbow or bend below the tap rail and to the left of the gas pipe (Fig.3).

6. The two flanged copper elbows supplied are of different lengths (Fig.4). Use pipe 'A' to connect to the cold inlet (except for System boilers in which instances the pipe can be discarded). Pipe 'B' should be used to connect to the central heating return.

7. Note the orientation of the flow direction arrows on the stop valve and double check valve.

8. Ensure the brass flange nuts are on each pipe and connect the plain end of pipe 'A' to the stop valve inlet (not System boilers) and the plain end of pipe 'B' to the outlet of the check valve using the nuts and washers supplied.

9. System boilers only - fit the double check valve & stop valve inlet connection to the cold water inlet pipe.

10. Remove the blanking caps from the heating return tap and (Combi only) cold inlet tap. Do not discard. Engage the brass flange nuts to the appropriate connections on the tap rail or pipework. Ensure that the fibre washers supplied are used on these joints.

NOTE: When fitting either a Baxi Combi 80Eco or a Potterton Performa 24 & 24 Eco HE the appliance must be on the wall at this point in the installation. Also, the operations described in items 11, 12, 13, 14, & 15 overleaf cannot be performed on these appliances. Proceed with filling and commissioning.

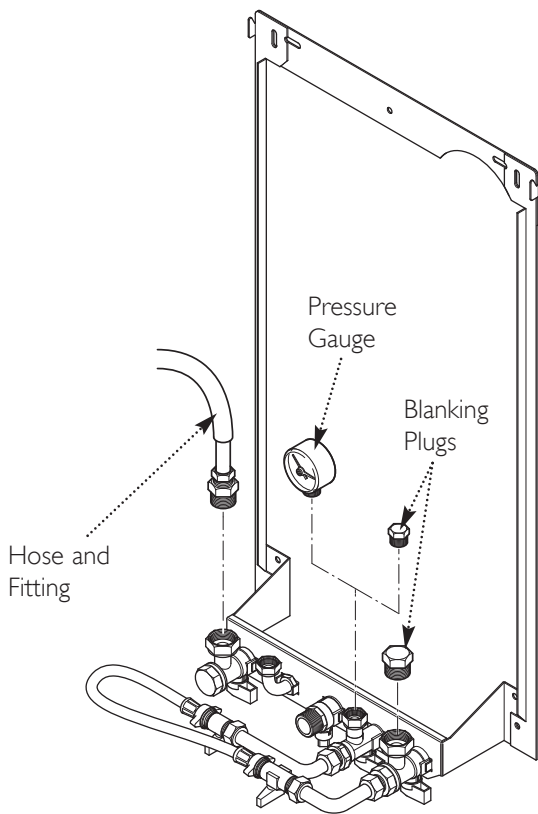


Fig.5

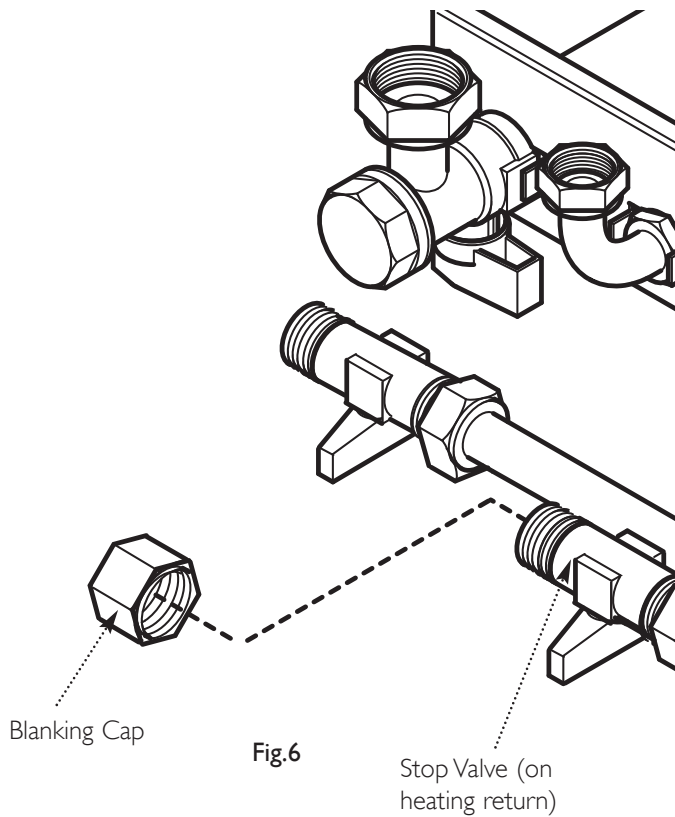


Fig.6

To fill, test and flush (Fig. 5)

11. Take the blanking plugs from the kit, and using washers supplied with the boiler, connect them to the central heating flow and return taps, and the cold inlet tap (not System boilers). The system can now be filled by opening the cold inlet supply and stop valve.

12. If desired a suitable gauge can be connected to one of the taps so that the system may be accurately pressurised.

13. All joints, fittings and system components can now be examined for soundness at operating pressure.

14. The system can be flushed by turning off the central heating tap and connecting a suitable fitting to the loose nut. From the fitting a hose pipe can be run to the nearest convenient drain. When the tap is reopened the system will flush (see Section 6.0 of the Installation & Servicing Instructions for further details).

15. Remove the blanking plug(s), pressure gauge and flushing equipment from the appliance if used.

16. Continue with the installation and commissioning as described in the Installation & Servicing Instructions.

17. The filling loop must be disconnected and completely removed after the system is pressurised.

18. Fit the previously removed blanking cap (paragraph 10) to the open end of the stop valve (Fig. 6). This will prevent injury from hot system water if the tap is inadvertently opened.

MULTIFIT

A Registered Trademark of Baxi Heating UK Ltd
Brooks House, Coventry Road, Warwick. CV34 4LL

e&oe

A BAXI GROUP company

Comp N° 248234 - Iss 5 - 03/07