

Exclusive to
Independent
Merchants



Baxi Avanta Range Installer Guide

BAXI

All the advantages of Avanta. All the benefits of Baxi.

Welcome to Baxi Avanta



If you've always had a soft spot for Avanta boilers, you'll love the new Baxi Avanta range. Still exclusively available from independent merchants, the products haven't changed. As efficient and reliable as ever, and just as easy to install and maintain.

However they now come with the backing of Baxi, one of the best known and most respected brands in the heating industry. Baxi is a brand that you can believe in, and a name consumers know and love.

With the introduction of the Baxi Avanta range you can now offer your customers a premium brand product, without the premium price tag.

Whilst you also have the reassurance of working with one of the UK's biggest brands, which means you can rely on a nationwide network of award-winning service and support.

It's a win-win situation.

Contents

Introduction

All the advantages of Avanta	4
All the benefits of Baxi	5

Information about the new range

At a glance	6
Baxi Avanta Exclusive Combi boiler	8
Baxi Avanta Plus Combi boiler	10
Baxi Avanta Plus System boiler	12
Baxi Avanta Heat Only boiler	14

Accessories and controls

Accessories and controls	16
--------------------------	----

Other products available

Accessories and Main Heating range	18
------------------------------------	----

Flue options

Flue options	20
--------------	----

Our support for you

Aftersales	24
Training	25
works loyalty scheme	26
interpart	27

All the advantages of Avanta

If you want a boiler range that offers innovation and efficiency, the Avanta is just what you need.

Avanta's clever modulation technology

By constantly monitoring itself, the boiler helps to maintain maximum boiler efficiency for your customers.



Installing an Avanta is easy

So much so that once you've installed one Avanta, you can install any other boiler from the range.



Avanta's light and compact design

Free from the bulk of traditional boilers, the Avanta fits into almost any space, giving you and your customers more flexibility.



Intuitive controls that are easy to install

Avanta's controls make life easier when it comes to fitting them, and they're also even easier for your customers to use.



Maximum control with minimum fuss

Avanta boilers are designed for ease of installation and ease of operation. So it's a win-win situation for both you and your customers.



All the benefits of Baxi

Since 1866 Baxi have been providing efficient heating and hot water solutions through its comprehensive product ranges. The addition of Avanta gives you even more reason to believe in Baxi as the manufacturer you can trust and rely on.

Award-winning support, genuine parts

heateam, works and interpart are all Baxi support services designed to make your customers happier and your business more efficient.



5-year parts and labour warranty*

Our comprehensive warranty covers everything your customers will value. No ifs, no buts, just a solid warranty they can trust.



Avanta is exclusive to independent merchants

We make sure that only independent merchants have access to Baxi Avanta boilers – which means you have an exclusive offer for your customers.



Fully compatible with the Multifit flue system

Our Multifit flue system is the perfect partner to every Baxi Avanta boiler - so everything fits with ease.



Nationwide training centres

Receive hands-on practical training across the UK and master the most efficient way to install a Baxi Avanta.



*Warranties vary across the range. Options to extend up to 7 years. Terms and conditions apply. Visit works2gether.co.uk for more details.

At a glance

A quick guide to the Baxi Avanta boiler range.



Features and benefits	Baxi Avanta Exclusive Combi
Stylish, high performance condensing boiler range SEDBUK (2005) band A* Outputs to suit multiple property types and lifestyles	✓
Cupboard fit* * For flexible and discreet siting	
Boiler frost protection Enables flexibility of siting e.g. garage or utility	✓
Compact design with low lift weight For easier and more manageable installation	✓
Covered controls For less tampering	✓
Wide modulation range Reduces wear and tear through efficient use of gas	✓
Optional LPG conversion from natural gas Suitable for off gas mains installations	✓
System bypass Protects against overheating without external bypass	✓
Clear and visible pressure gauge Front facing for ease of commissioning and use	✓
Optional time and temperature controls For increased heating comfort and fuel efficiency	✓
Simple to use boiler controls For intuitive use	✓
Mounting plates including taps For faster and easier installation	✓
Filling loop Provided for your convenience	✓
Up to 5 years parts and labour warranty* * * For peace of mind	5 years
Extended warranty available* * * *	✓

Clock is optional on the Baxi Avanta Plus Combi Boiler.

* For more information about how a high efficiency boiler could help lower your customers bills visit www.energysavingtrust.org.uk/heating-and-hot-water/replacingyourboiler

** Able to fit in kitchen cupboard (pending survey of cupboard size) *** Subject to warranty registration and annual service

**** Extended warranty options available to works members, terms and conditions apply. Please visit www.works2gether.co.uk for more information.



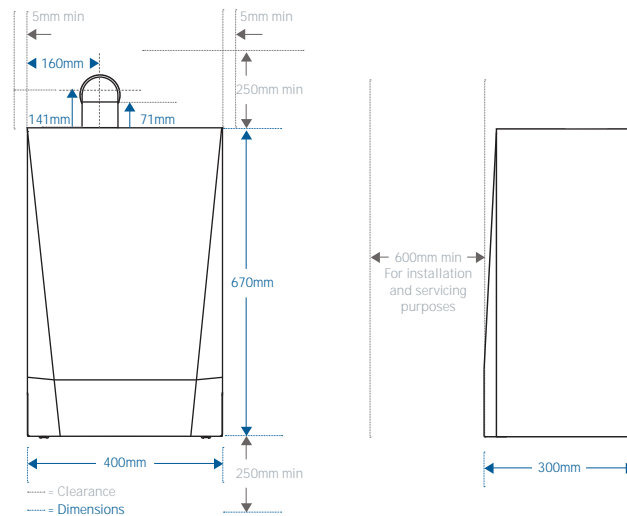
Baxi Avanta Plus Combi	Baxi Avanta Plus System	Baxi Avanta Heat Only
✓	✓	✓
		✓
✓	✓	
✓	✓	✓
✓	✓	✓
✓	✓	✓
✓	✓	
✓	✓	✓
✓	✓	
✓	✓	
✓	✓	
2 years	2 years	2 years
✓	✓	✓



Baxi Avanta Exclusive Combi boiler



The Baxi Avanta Exclusive is so compact, you can install it almost anywhere. Available with a 5 year parts and labour warranty as standard, this combi boiler provides plentiful supplies of heat and hot water whilst reducing energy bills.



Key features and benefits

Sedbuk (2005) Band A high efficiency boiler	✓	Mounting plate including taps	✓
Available in 28, 35 and 39kW models	✓	Flexible siting	✓
Lightweight and compact design	✓	5-year parts and labour warranty*	✓
Wide modulation range	✓	Optional iSense wireless control	✓
Intuitive boiler control display	✓	Optional weather sensor	✓
Aesthetic design with covered controls	✓	Optional natural gas to LPG kits available	✓

*Further extended warranty options available to works members, terms and conditions apply. Please visit www.works2gether.co.uk for more information.

Technical specifications

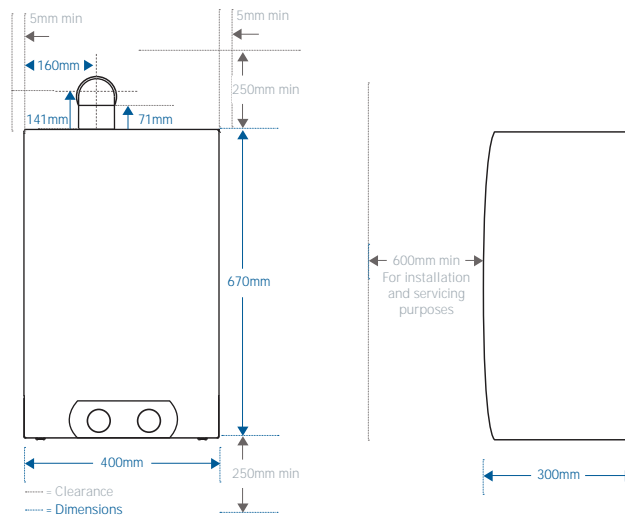
	Unit of measure	Baxi Avanta Exclusive 28	Baxi Avanta Exclusive 35	Baxi Avanta Exclusive 39
Part number (boiler only)		7604058	7604059	7604060
Standard Horizontal Flue		720698701	720698701	720698701
Controls				
Concealed User Controls		Yes	Yes	Yes
On/Off Switch with Reset		Yes	Yes	Yes
User Adjustable DHW Temperature and CH Temperature		Yes	Yes	Yes
Gas				
Gas Supply Pipe Size	mm	22	22	22
Natural Gas		Yes	Yes	Yes
LPG (Butane/Propane)		Optional	Optional	Optional
Gas Consumption Natural Gas (LPG)	m ³ /hr	3 (1.2)	3.5 (1.3)	3.9 (1.6)
Heat Output Central Heating (minimum/maximum)	kW	5.8/22	6.1/30	6.3/34
Heat Output Domestic Hot Water	kW Max	28	35	39
Maximum Domestic Hot water Flow Rate	l/min@35°C rise	11.4	14.2	15.9
SEDBUK (2005) Rating	Band	A	A	A
Seasonal Efficiency NG/LPG (2005)	%	90.4	90.3	90.3
Seasonal Efficiency NG/LPG (2009)	%	89.1	89.5	89.7
N0x Class		5	5	5
N0x Levels	mg/kWhr	37	38	39
Electrical				
Electrical supply	Volts/Hz	230/50	230/50	230/50
Permanent Live Required		Yes	Yes	Yes
Fitted Electrical Cable		Yes	Yes	Yes
Power Consumption	Watts	115	150	180
External Fuse Rating	Amps	3	3	3
Ingress Protection Rating (without mechanical timer fitted)	IP	X4D	X4D	X4D
24-hour Pump Exercise		Yes	Yes	Yes
Integral Boiler Only Frost Thermostat		Yes	Yes	Yes
Mechanical and Hydraulic				
Mounting plate including taps		Yes	Yes	Yes
CH Flow and Return Pipe Size	mm	22	22	22
DHW Flow and Return Pipe Size	mm	15	15	15
Condensate Discharge Pipe Size	Inch	3/4	3/4	3/4
Min Domestic Hot Water Flow Rate	litres/min	1.2	1.2	1.2
Min Domestic Hot Water Operating Pressure	bar	0.5	0.5	0.5
Minimum Operating Water Pressure	bar	1	1	1
Safety Discharge Pressure	bar	3	3	3
Integral Expansion Vessel Capacity	litres	8	8	8
Filling Loop Included		Yes	Yes	Yes
Concentric Flue System				
Standard Telescopic Horizontal Flue Kit Length	mm	315 - 500	315 - 500	315 - 500
Max Equiv Length Horizontal/Vertical 60/100 / (80/125)	m	6 (29)	7 (30)	5 (25)
Equivalent Length per 135° Bend (60/100) & (80/125)	m	1 (0.9)	1 (0.9)	1 (0.9)
Equivalent Length per 93° Bend (60/100) & (80/125)	m	1.3 (2.5)	1.3 (2.5)	1.3 (2.5)
Weights				
Max Installation Lift Weight	kg	30.5	32	34.5



Baxi Avanta Plus Combi boiler



The Baxi Avanta Plus Combi is really versatile, reliable and easy to install. Available with a 2 year parts and labour warranty as standard, the Baxi Avanta Plus Combi boiler provides highly efficient heat and hot water and considerable energy savings.



*Clock is optional on the Baxi Avanta Plus Combi Boiler.

Key features and benefits

- | | | | |
|--|---|--|---|
| Sedbuk (2005)
Band A high efficiency boiler | ✓ | Optional time and temperature controls available | ✓ |
| Available in 24, 28, 35 and 39kW models | ✓ | Optional stand off frame for upward piping | ✓ |
| Lightweight and compact design | ✓ | Optional weather sensor | ✓ |
| Mounting plate including taps | ✓ | Optional natural gas to LPG kits available | ✓ |
| 2-year parts and labour warranty* | ✓ | | |

*Further extended warranty options available to works members, terms and conditions apply. Please visit www.works2gether.co.uk for more information.

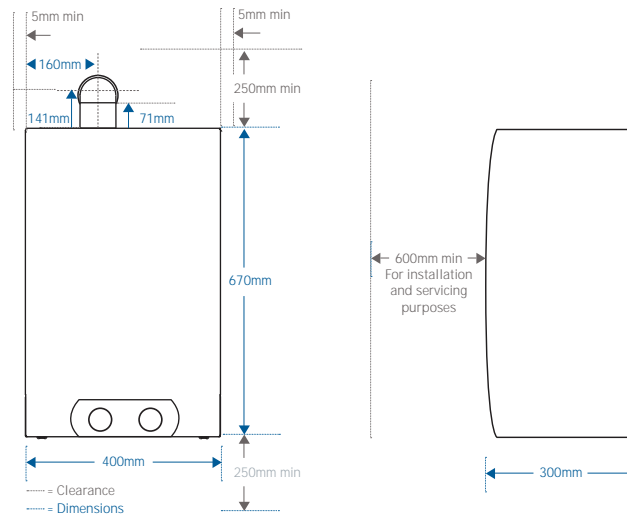
Technical specifications

	Unit of measure	Baxi Avanta Plus Combi 24	Baxi Avanta Plus Combi 28	Baxi Avanta Plus Combi 35	Baxi Avanta Plus Combi 39
Part number (boiler only)		7604135	7604136	7604137	7604138
Standard Horizontal Flue		720698701	720698701	720698701	720698701
Controls					
Concealed User Controls		No	No	No	No
On/Off Switch with Reset		Yes	Yes	Yes	Yes
User Adjustable DHW Temperature and CH Temperature		Yes	Yes	Yes	Yes
Gas					
Gas Supply Pipe Size	mm	22	22	22	22
Natural Gas		Yes	Yes	Yes	Yes
LPG (Butane/Propane)		Optional	Optional	Optional	Optional
Gas Consumption Natural Gas (LPG)	m ³ /hr	2.5 (1.0)	3(1.2)	3.5(1.3)	3.9(1.6)
Heat Output Central Heating (minimum/maximum)	kW	5.8/22	5.8/22	6.1/30	6.3/34
Heat Output Domestic Hot Water	kW Max	24	28	35	39
Maximum Domestic Hot water Flow Rate	l/min@35°c rise	10	11.4	14.2	15.9
SEDBUK (2005) Rating	Band	A	A	A	A
Seasonal Efficiency NG/LPG (2005)	%	90.2	90.4	90.3	90.3
Seasonal Efficiency NG/LPG (2009)	%	88.7	89.1	89.5	89.7
N0x Class		5	5	5	5
N0x Levels	mg/kWhr	37	37	38	39
Electrical					
Electrical supply	Volts/Hz	230/50	230/50	230/50	230/50
Permanent Live Required		Yes	Yes	Yes	Yes
Fitted Electrical Cable		Yes	Yes	Yes	Yes
Power Consumption	Watts	115	115	150	180
External Fuse Rating	Amps	3	3	3	3
Ingress Protection Rating (without mechanical timer fitted)	IP	X4D	X4D	X4D	X4D
24-hour Pump Exercise		Yes	Yes	Yes	Yes
Integral Boiler Only Frost Thermostat		Yes	Yes	Yes	Yes
Mechanical and Hydraulic					
Mounting plate including taps		Yes	Yes	Yes	Yes
CH Flow and Return Pipe Size	mm	22	22	22	22
DHW Flow and Return Pipe Size	mm	15	15	15	15
Condensate Discharge Pipe Size	inch	3/4	3/4	3/4	3/4
Min Domestic Hot Water Flow Rate	litres/min	1.2	1.2	1.2	1.2
Min Domestic Hot Water Operating Pressure	bar	0.5	0.5	0.5	0.5
Minimum Operating Water Pressure	bar	1	1	1	1
Safety Discharge Pressure	bar	3	3	3	3
Integral Expansion Vessel Capacity	litres	8	8	8	8
Filling Loop Included		Yes	yes	Yes	yes
Concentric Flue System					
Standard Telescopic Horizontal Flue Kit Length	mm	315 - 500	315 - 500	315 - 500	315 - 500
Max Equiv Length Horizontal/Vertical 60/100 / (80/125)	m	6 (29)	6 (29)	7 (30)	5 (25)
Equivalent Length per 135° Bend (60/100) & (80/125)	m	0.5	0.5	0.5	0.5
Equivalent Length per 93° Bend (60/100) & (80/125)	m	1	1	1	1
Weights					
Max Installation Lift Weight	kg	30.5	30.5	32	34.5

Baxi Avanta Plus System boiler



For larger properties with two or more bathrooms, the Baxi Avanta Plus system boiler is the perfect fit. It is available in a variety of outputs and combines high performance with high efficiency. A technically advanced boiler you can trust.



Key features and benefits

Sedbuk (2005) Band A high efficiency boiler	✓	Optional weather sensor	✓
Available in 18, 24 and 30kW models	✓	Optional stand off frame for upward piping	✓
Lightweight and compact design	✓	Optional time and temperature controls	✓
Mounting plate including taps	✓	Optional natural gas to LPG kits available	✓
2-year parts and labour warranty*	✓		

*Further extended warranty options available to works members, terms and conditions apply. Please visit www.works2gether.co.uk for more information.

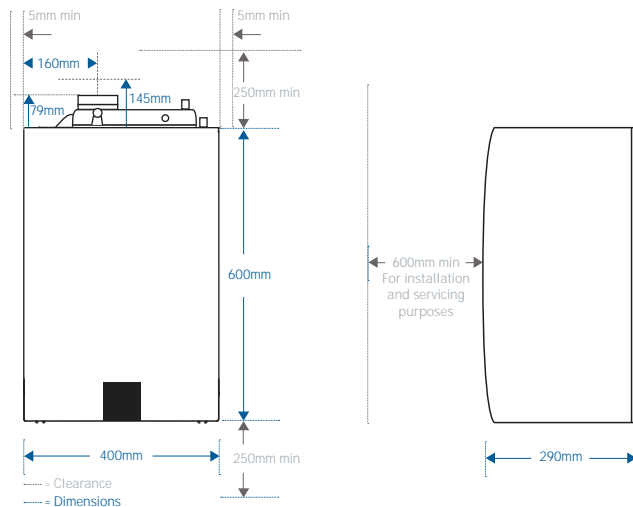
Technical specifications

	Unit of Measure	Baxi Avanta Plus System 18	Baxi Avanta Plus System 24	Baxi Avanta Plus System 30
Part number (boiler only)		7604562	7604563	7604564
Standard Horizontal Flue		720698701	720698701	720698701
Controls				
Concealed User Controls		No	No	No
On/Off Switch with Reset		Yes	Yes	Yes
User Adjustable CH Temperature		Yes	Yes	Yes
Gas				
Gas Supply Pipe Size	mm	22	22	22
Natural Gas		Yes	Yes	Yes
LPG (Butane/Propane)		Optional	Optional	Optional
Gas Consumption Natural Gas (LPG)	m ³ /hr	1.9(0.7)	2.3(0.85)	3.2(1.2)
Heat Output Central Heating (minimum/maximum)	kW	5.8 / 18.3	5.8 / 22	6.1 / 30
SEDBUK (2005) Rating	Band	A	A	A
Seasonal Efficiency NG/LPG (2005)	%	90.3	90.3	90.4
Seasonal Efficiency NG/LPG (2009)	%	88.8	88.9	88.9
N0x Class		5	5	5
N0x Levels	mg/kWhr	37	37	37
Electrical				
Electrical Supply	Volts / Hz	230 / 50	235 / 50	230 / 50
Permanent Live Required		Yes	Yes	Yes
Fitted Electrical Cable		Yes	Yes	Yes
Power Consumption	Watts	115	115	115
External Fuse Rating	Amps	3	3	3
Ingress Protection Rating (without mechanical timer fitted)	IP	X4D	X4D	X4D
24-hour Pump Exercise		Yes	Yes	Yes
Integral Boiler Only Frost Thermostat		Yes	Yes	Yes
Mechanical and Hydraulic				
Mounting plate including taps		Yes	Yes	Yes
CH Flow and Return Pipe Size	mm	22	22	22
Condensate Discharge Pipe Size	Inch	3/4	3/4	3/4
Minimum Operating Water Pressure	bar	1	1	1
Safety Discharge Pressure	bar	3	3	3
Integral Expansion Vessel Capacity	litres	8	8	8
Filling Loop Included		Yes	Yes	Yes
Concentric Flue System				
Standard Telescopic Horizontal Flue Kit Length	mm	315 - 500	315 - 500	315 - 500
Max Equiv Length Horizontal/Vertical 60/100 / (80/125)	m	6 (29)	6 (29)	6 (29)
Equivalent Length per 135° Bend (60/100) & (80/125)	m	0.5	0.5	0.5
Equivalent Length per 93° Bend (60/100) & (80/125)	m	1	1	1
Weights				
Max Installation Lift Weight	kg	29.0	29.0	32.0

Baxi Avanta Heat Only boiler



The Baxi Avanta Heat Only boiler is easy to install and service, features straight forward controls and is a compact design. Available in a variety of outputs to suit a range of homes, this heat only boiler offers exceptional energy efficiency and reliability.



Key features and benefits

Sedbuk (2005)

Band A high efficiency boiler



Optional stand off frame for upward piping



Available in 15, 18, 24, and 30kW models



Optional time and temperature controls



Lightweight and compact design



Optional weather sensor



2-year parts and labour warranty*



Optional natural gas to LPG kits available



Suitable for open vented or sealed systems



*Further extended warranty options available to works members, terms and conditions apply. Please visit www.works2gether.co.uk for more information.

Technical specifications

	Unit of Measure	Baxi Avanta Heat Only 15	Baxi Avanta Heat Only 18	Baxi Avanta Heat Only 24	Baxi Avanta Heat Only 30
Part number (boiler only)		7604381	7604382	7604383	7604384
Standard Horizontal Flue		720698701	720698701	720698701	720698701
Controls					
Concealed User Controls		No	No	No	No
On/Off Switch with Reset		Yes	Yes	Yes	Yes
User Adjustable CH Temperature		Yes	Yes	Yes	Yes
Gas					
Gas Supply Pipe Size	mm	22	22	22	22
Natural Gas		Yes	Yes	Yes	Yes
LPG (Butane/Propane)		Optional	Optional	Optional	Optional
Gas Consumption Natural Gas (LPG)	m ³ /hr	1.6(0.6)	1.8(0.7)	2.7(1.0)	3.2(1.2)
Heat Output Central Heating (minimum/maximum)	kW	5.8 / 15.3	5.8 / 18	6.1 / 25.2	6.1 / 30
SEDBUK (2005) Rating	Band	A	A	A	A
Seasonal Efficiency NG/LPG (2005)	%	90.4	90.5	90.3	90.4
Seasonal Efficiency NG/LPG (2009)	%	88.9	89.2	88.9	88.9
N0x Class		5	5	5	5
N0x Levels	mg/kWhr	<53	<53	<53	<53
Electrical					
Electrical Supply	Volts / Hz	230 / 50	230 / 50	230 / 50	230 / 50
Permanent Live Required		Yes	Yes	Yes	Yes
Fitted Electrical Cable		Yes	Yes	Yes	Yes
Power Consumption	Watts	50	50	115	115
External Fuse Rating	Amps	3	3	3	3
Ingress Protection Rating (without mechanical timer fitted)	IP	X4D	X4D	X4D	X4D
Mechanical and Hydraulic					
Mounting plates		Bracket	Bracket	Bracket	Bracket
CH Flow and Return Pipe Size	mm	22	22	22	22
Filling Loop Included		No	No	No	No
Concentric Flue System					
Standard Telescopic Horizontal Flue Kit Length	mm	315 - 500	315 - 500	315 - 500	315 - 500
Max Equiv Length Horizontal/Vertical 60/100 / (80/125)	m	8 (34)	8 (34)	8 (34)	8 (34)
Equivalent Length per 135° Bend (60/100) & (80/125)	m	0.5	0.5	0.5	0.5
Equivalent Length per 93° Bend (60/100) & (80/125)	m	1	1	1	1
Weights					
Max Installation Lift Weight	kg	20.0	20.0	21.5	21.5

Accessories and Controls

Choose from the following compatible accessories and controls:



Part No.	Description	Baxi Avanta Exclusive Combi
S100216	Internal mechanical time clock - single channel	✓
S62432c	Internal digital time clock - single channel	✓
S62432	Internal digital time clock - two channel	
7604569	iSense RF 7 day digital timer (wireless)	✓
7604081	qSense digital room thermostat (wired)	✓
S62372	Outside weather sensor (wired)	✓
S100711	Stand off frame	✓
S100658	Pre-formed pipes behind kit (Avanta Exclusive)	✓
S63112	Pre-formed pipes behind kit (Avanta Plus combi, system and heat only)	
S62920	Cover plate bottom (combi and system)	✓
S100287	Cover plate bottom (heat only)	
S100524	NG to LPG conversion kit for 24, 28, 35kW	✓
S100388	NG to LPG conversion kit for 39kW	✓
S100465	80/125 flue Adapter	✓
MG75682	Wall plate 60/100mm - white	✓
MGD28926	Wall plate 80/125mm - white	✓
720644401	Multifit condensate trace heating kit 1 M	✓
720664101	Multifit condensate trace heating kit 2M	✓
720664201	Multifit condensate trace heating kit 3M	✓
720664401	Multifit condensate trace heating kit 4M	✓

*Clock is optional on the Baxi Avanta Plus Combi Boiler.



Baxi Avanta Plus Combi	Bax Avanta Plus System	Baxi Avanta Heat Only
✓		
✓		
	✓	
✓	✓	✓
✓	✓	✓
✓	✓	✓
✓	✓	✓
✓	✓	✓
✓	✓	
		✓
✓	✓	✓
✓		
✓	✓	
✓	✓	✓
✓	✓	✓
✓	✓	✓
✓	✓	✓
✓	✓	✓
✓	✓	✓
✓	✓	✓
✓	✓	✓



Accessories

You can improve the efficiency of your Avanta boiler and make even more savings on fuel bills and carbon emissions by adding a choice of control accessories.

Internal mechanical time clock - single channel



Timed 24hr central heating control to suit user comfort and comply with Building Regulation guidance. This timer offers a selection of constantly on/off or timed operation, with a 15 minute switching operation for utmost simplicity.

Internal digital time clock - two channel



An electric 7 day timer with a digital LCD display offering a selection of on/off switching operations over a 7 day period. This also features an advance switch programme available in twin channel for separate central heating and hot water timed control.

qSense digital room thermostat



Programmes the boiler to control your room temperature (settings from 5-35° C). A stylish backlit LCD display makes it easy to read. qSense can be used with a standard 230V time control or with the iSense control for even more efficiency, comfort and savings.

iSense RF 7-day digital timer (wireless)



A multi-functional 7 day programmable room temperature control that delivers the best efficiencies and increased cost savings. Wireless, iSense provides up to 6 daily heating periods, day/night adjustment, frost protection and summer temperature settings. The iSense, with a backlit LCD display, is stylish, intuitive and easy to use.

Outside weather sensor (wired)



Monitors outside temperatures and optimises boiler performance efficiently and economically to increase customer comfort levels. Easy to install with no service or maintenance required.

Other products available

Main Heating offers great products at exceptional value for money. Exclusively available to independent merchants, Main's range of combi, system and heat only boilers are straightforward to install and easy to use.

Main Combi Eco Elite



The Main Combi Eco Elite is a simple and installer-friendly range of boilers which provide tried and tested technology that you can rely on.

Main System Eco Elite



The Main System Eco Elite range is designed to satisfy all the hot water and central heating requirements for a range of domestic properties.

Main HE A Heat Only



The Main HE A Heat Only boiler is easy to install and plumb. It's lightweight, compact size, has minimal installation clearances.

For more information on the Main boiler and cylinder range, visit www.mainheating.co.uk or contact your Area Sales Manager.

BAXI

Flue options



Multifit flue kits come with positive screw fixings for all connections and are available in a choice of lengths to reduce the need for onsite cutting and waste. By popular demand we offer a choice of colours for the terminals to match existing rainwater systems.

Maximum flue lengths

Boiler type	60/100mm	80/125mm
Baxi Avanta Exclusive Combi 28 Model	6m	29m
Baxi Avanta Exclusive Combi 35 Model	7m	30m
Baxi Avanta Exclusive Combi 39 Model	5m	25m
Baxi Avanta Plus Combi 24 Model	6m	29m
Baxi Avanta Plus Combi 28 Model	6m	29m
Baxi Avanta Plus Combi 35 Model	7m	30m
Baxi Avanta Plus Combi 39 Model	5m	25m
Baxi Avanta Plus System 18 Model	6m	29m
Baxi Avanta Plus System 24 Model	6m	29m
Baxi Avanta Plus System 30 Model	6m	29m
Baxi Avanta Heat Only 15 Model	8m	34m
Baxi Avanta Heat Only 18 Model	8m	34m
Baxi Avanta Heat Only 24 Model	8m	34m
Baxi Avanta Heat Only 30 Model	8m	34m

Elbow

Elbow	Equiv. Length
60 / 100 93°	1.3
60 / 100 45° (135°)	1
80 / 125 93°	2.5
80 / 125 45° (135°)	0.9

Any elbows used in the flue systems have an equivalent length value that must be deducted from the total permissible length.

Horizontal Concentric Flues Ø 60/100mm - Multifit Flue Group A

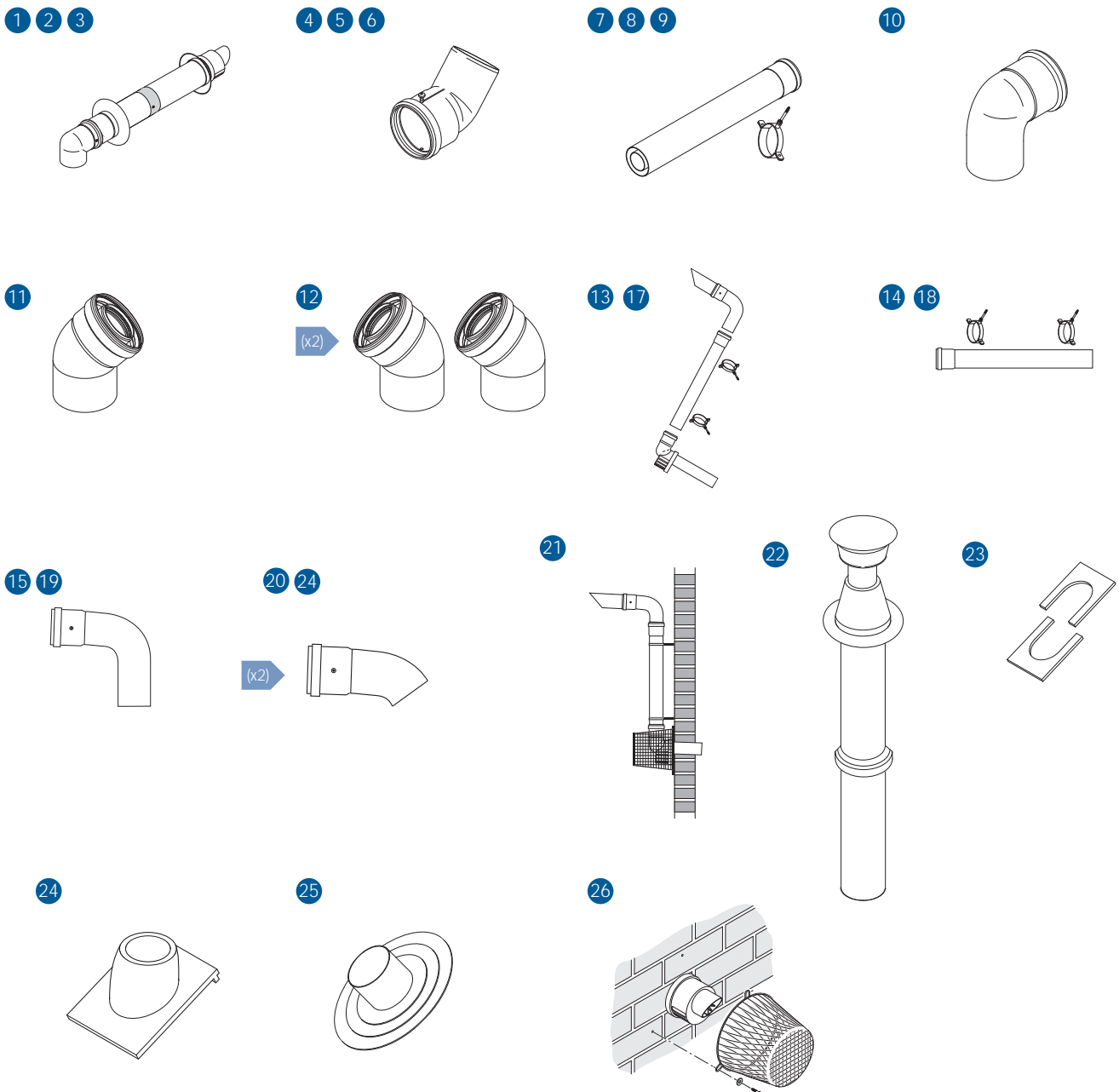
Item	Description (Multifit) Flue System	Colour	Specification	Key & OD Dimensions	Sales Code
1	STD Horizontal Telescopic Flue inc. Low Profile Elbow & Fixing Screws	White pipe/White terminal	315mm - 500mm	60/100mm	720599401
2	STD Horizontal Telescopic Flue inc. Low Profile Elbow & Fixing Screws	White pipe/Black terminal	315mm - 500mm	60/100mm	720598701
3	STD Horizontal Telescopic Flue inc. Low Profile Elbow & Fixing Screws	White pipe/Brown terminal	315mm - 500mm	60/100mm	720642701
4	Flue Terminal Deflector	White		60mm	720644201
5	Flue Terminal Deflector	Black		60mm	5111068
6	Flue Terminal Deflector	Brown		60mm	720644301
7	1m Flue Extension inc. Fixing Screws	White	1000mm	100mm	720648801
8	0.5m Flue Extension inc. Fixing Screws	White	500mm	100mm	720643001
9	0.25m Flue Extension inc. Fixing Screws	White	250mm	100mm	720643101
10	93° Flue Bend inc. Fixing Screws	White	93°	100mm	720648401
11	135° Flue Bend inc. Fixing Screws	White	135°	100mm	720648501
12	135° Flue Bend inc. Fixing Screws (pair)	White	135°	100mm	720647901
26	Stainless Steel Terminal Guard - Ø 60/100	S/S	Stainless Steel	100mm	720627901

Plume Displacement Kits Ø 60/100mm - Multifit Flue Group A

Item	Description (Multifit) Flue System	Colour	Specification	Key & OD Dimensions	Sales Code
13	Plume Displacement Terminal Kit inc.1m Extension & Brackets	White		100mm	720627001
14	Plume Displacement Kit Extension & Brackets	White	1000mm	60mm	720643401
15	Plume Displacement Kit Bend	White	93°	60mm	5121369
16	Plume Displacement Kit Bend - Pair	White	135°	60mm	5121370
17	Plume Displacement Terminal Kit inc.1m Extension & Brackets	Black		100mm	720622901
18	Plume Displacement Kit Extension & Brackets	Black	1000mm	60mm	720643301
19	Plume Displacement Kit Bend	Black	93°	60mm	720648701
20	Plume Displacement Kit Bend - Pair	Black	135°	60mm	720648601
21	Stainless Steel PDK Guard Ø 60/100 - Air Intake	S/S			720644601

Vertical Concentric Flues Ø 60/100mm – Multifit Flue Group A

Item	Description (Multifit) Flue System	Colour	Specification	Key & OD Dimensions	Sales Code
22	Vertical Flue Terminal	Black		100mm	5118576
23	Roof Cover Plate			125mm	246143
7	1m Flue Extension inc. Fixing Screws	White	1000mm	100mm	720648801
8	0.5m Flue Extension inc. Fixing Screws	White	500mm	100mm	720643001
9	0.25m Flue Extension inc. Fixing Screws	White	250mm	100mm	720643101
10	93° Flue Bend inc. Fixing Screws	White	93°	100mm	720648401
11	135° Flue Bend inc. Fixing Screws	White	135°	100mm	720648501
12	135° Flue Bend (Pair) inc. Fixing Screws	White	135°	100mm	720647901
24	Pitched Roof Flashing		25°/50°	125mm	5122151
25	Flat Roof Flashing			125mm	246144

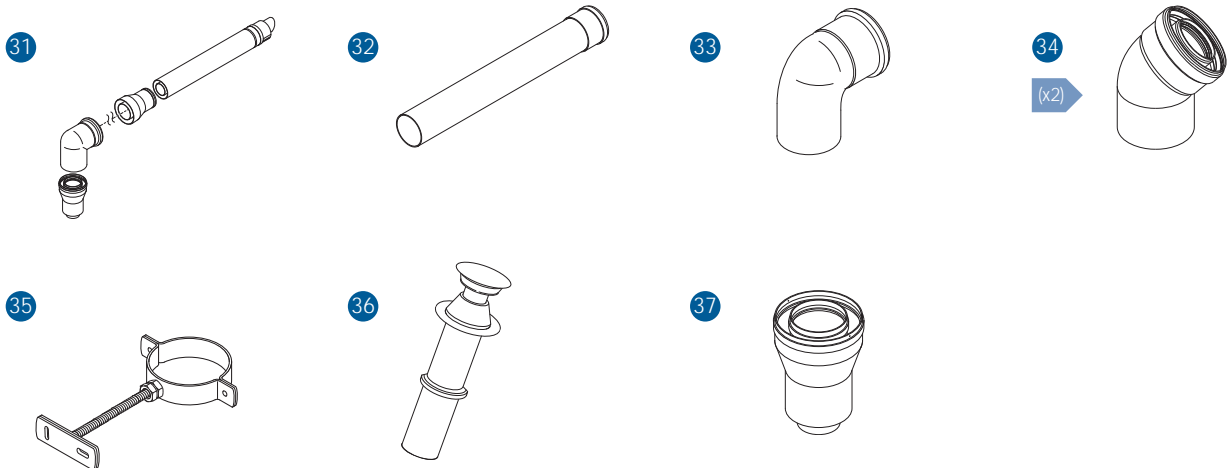


Horizontal Concentric Flues Ø 80/125mm - Multifit Flue Group G

Item	Description (Multifit) Flue System	Colour	Specification	Key & OD Dimensions	Sales Code
31	Horizontal Flue inc. boiler and terminal adaptors	Black		125mm	5118580
32	1m Flue Extension	White	1000mm	125mm	5118584
33	Flue Bend	White	91.5°	125mm	5118588
34	Flue Bend (Pair)	White	135°	125mm	5118597
35	Pipe Support Bracket	White	125mm Flue Pipes	125mm	5118610

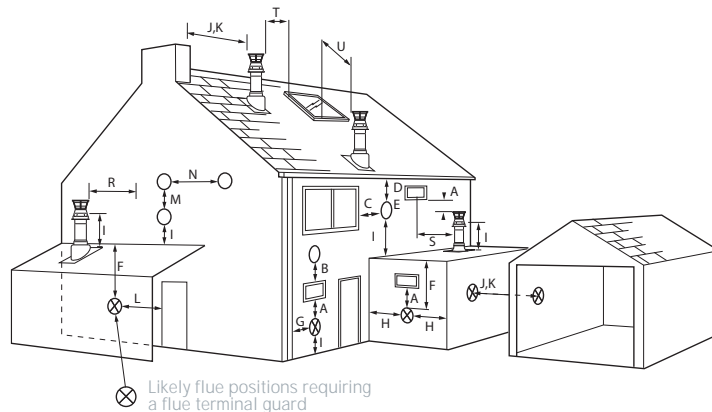
Vertical Concentric Flues Ø 80/125mm - Multifit Flue Group G

Item	Description (Multifit) Flue System	Colour	Specification	Key & OD Dimensions	Sales Code
36	Vertical Flue Terminal	Black		125mm	5111078
32	1m Flue Extension	White	1000mm	125mm	5118584
33	Flue Bend	White	91.5°	125mm	5118588
34	Flue Bend (Pair)	White	135°	125mm	5118597
28	Roof Cover Plate (see page 23 for image)			125mm	246143
37	Flue Vertical Adaptor	White		100/125mm	5111070
29	Pitched Roof Flashing (see page 23 for image)		25°/55°	125mm	5122151
30	Flat Roof Flashing (see page 23 for image)			125mm	246144
35	Pipe Support Brackets	White	125mm Flue Pipes	125mm	5118610



Terminal Position with Minimum Distance (mm)

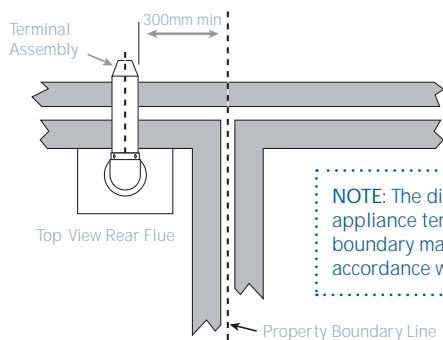
A ¹	Directly below an opening, air brick, opening windows, etc	300
B ¹	Above an opening, air brick, opening window etc	300
C ¹	Horizontally to an opening, air brick, opening window etc	300
D ²	Below gutters, soil pipes or drain pipes	25
E ²	Below eaves	25
F ²	Below balconies or car port roof	25
G ²	From a vertical drain pipe or soil pipe	25
H ²	From an internal or external corner	25
I	Above ground, roof or balcony level	300
J	From a surface or boundary line facing a terminal	600
K	From a terminal facing a terminal (Horizontal flue)	1200
K	From a terminal facing a terminal (Vertical flue)	600
L	From an opening in carport (e.g. door, window) into the dwelling	1200
M	Vertically from a terminal on the same wall	1500
N	Horizontally from a terminal on the same wall	300
R	From adjacent wall to flue (vertical only)	300
S	From an adjacent opening window (vertical only)	1000
T	Adjacent to windows or openings on pitched and flat roofs	600
U	Below windows or openings on pitched roofs	2000



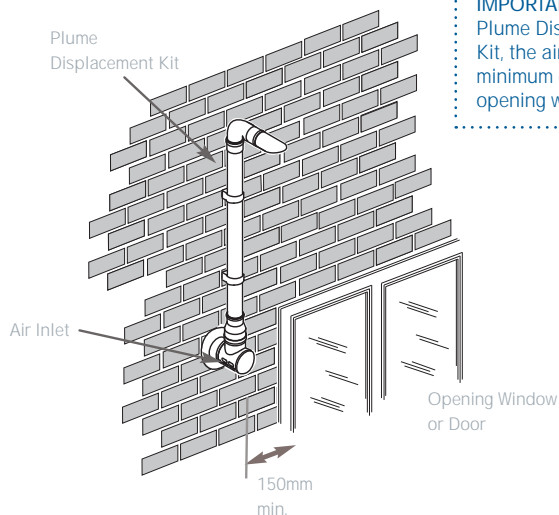
1. In addition, the terminal should be no nearer than 150mm to an opening in the building fabric formed for the purpose of accommodating a built-in element such as a window frame.

2. Only ONE 25mm clearance is allowed per installation. If one of the dimensions D, E, F, G or H is 25mm then the remainder MUST be as B.S.5440-1.

IMPORTANT: If fitting a Plume Displacement Flue Kit, the air inlet must be a minimum of 150mm from any opening windows or doors



NOTE: The distance from a fanned draught appliance terminal installed parallel to a boundary may not be less than 300mm in accordance with the diagram.



Supporting the best, with the best



Call us on

0844 871 1525

Visit us at

www.heateam.co.uk

heateam opening hours are:
Monday - Friday 8am - 6pm
Saturday/Sunday 8.30am - 2pm

Our aftersales support is on hand whenever you need it, even if you haven't finished the installation yet

Technical support

If you need additional information or support whilst on site, our technical support team, made up of experienced and qualified gas engineers, is always on hand. They have direct access to boilers so they can see and talk you through the installation, service or repair.

Warranties

Once the boiler has been installed and registered, they will be covered by the standard parts and labour warranty, providing extra peace of mind. You can register the warranty either online, by post or on the phone.

“If you need some support during an installation it's great to know that **heateam** are at the end of the phone. It's clear that their guys have been on the tools and know how we work, which is reassuring”

Aftersales service



heateam, our award-winning customer service division, has a team of Gas Safe registered engineers working across

the UK to ensure your customers are happy with their Baxi boiler. In fact, it's like having your very own aftersales team. Any problems encountered with a Baxi product within two years of installation will be resolved quickly and efficiently by one of our engineers.

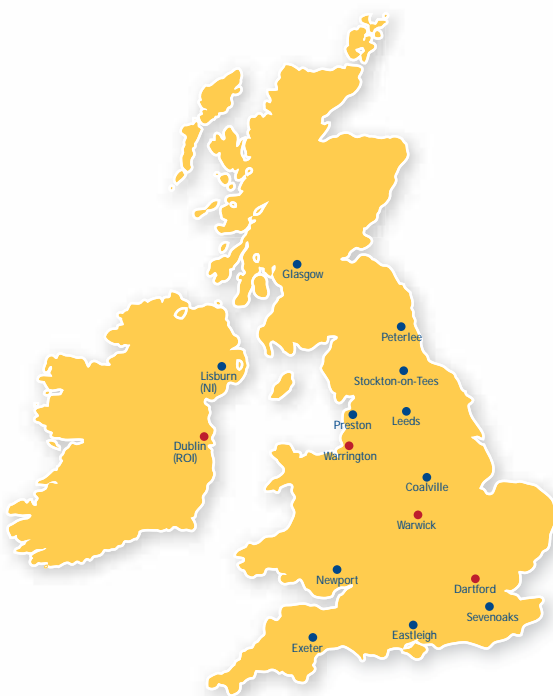
If you're a member of our business support scheme **works** we will guarantee to be with your customer the next day**.

*Subject to registration and an annual service by any Gas Safe registered installer
**Calls booked before 3pm

Training and support you can trust



Our free product training courses are available throughout the UK and are a great way to learn about Baxi boilers



Practice makes perfect

Baxi's free, practical product training courses are available throughout the UK and are a great way to learn about Baxi boilers. The way they are installed. The way they work. How energy efficient and cost-effective they are. It's all about keeping you up to date with the latest products and processes.

In addition, we also offer a range of high quality specialist courses covering electrics, diagnostics, controls and every other aspect of installation. Courses are held at dedicated, fully equipped UK training centres and delivered by trainers with many years' experience in the industry. They're designed to help you understand the unique boiler components and make installation, service and maintenance easier and simpler.

Satellite Training Centre

- Leeds
- Coalville (Biomass only)
- Sevenoaks (Biomass only)
- Glasgow
- Eastleigh
- Stockton-on-Tees
- Peterlee
- Newport
- Preston
- Exeter
- Lisburn (NI)

Baxi Training Centres

- Dartford
- Warrington
- Warwick
- Dublin (ROI)

To book your free of charge training, please contact your Area Sales Manager

BAXI



We want to thank you for your business and help you grow it.

Running a business of any size isn't easy, especially in the current economic climate. That's why we've set up works, our great new business support scheme. Far more than a loyalty programme, works rewards genuine two-way communication between you and Baxi.

Here are just a few of the benefits that works can offer:

Rewards

Earn points to spend on a range of gifts and business support

Free Gas Safe notification

Save time and money on Gas Safe notifications with works' easy online process

Next day call out

We'll support you with next day call out* from heateam, our award-winning customer service division

Annual service reminder

We prompt your customers to call you when their annual service is due**

Find an installer'

We'll help you grow your business by adding a listing on to 'Find an installer' on the Baxi website

works4network

This is our online community. Here you can earn Network Points and turn them into fantastic experiences when sharing know-how or time with us and other installers

www.works2gether.co.uk

* calls booked before 3pm

**Available for registered boilers only. See website for details





interpart

Genuine parts,
genuine benefits.

When it comes to finding Baxi spare parts, you want a first-class solution at the first time of asking. That's where **interpart** comes in. For over 30 years **interpart** has been supporting independent heating specialists, providing invaluable peace of mind at an affordable price.

Furthermore, as one of the UK's largest parts distribution businesses you're sure to find the parts and accessories you need in double-quick time, allowing you to get on with the job in hand. In addition to Baxi's current collection of boilers, including the Avanta Baxi range, **interpart** also provide parts for many discontinued products. After all, nothing should ever stop you getting the job done, whether it's an installation, repair or an annual service.

For more information about **interpart's** full product range, give their friendly and knowledgeable staff a call on 0844 871 1540.

interpart has it covered

- Baxi central heating controls
- Thermostats
- Timers
- Programmers and Baxi printed circuit boards (PCBs)
- Condensate pumps
- Pipes
- Fittings
- Expansion vessel extensions
- Filling loop kits
- Pumps (including Grundfos)
- Valves and diaphragm kits (including Baxi diverter valves)

BAXI



Contact us

For all enquiries, please call

0844 871 1525

Visit: www.baxi.co.uk/avanta

Open Monday - Friday, 8am - 6pm
Saturdays & Bank Holidays, 8.30am - 2pm
We are closed on Christmas Day & New Year's Day

To book a training course please call 0845 600 7402
Open Monday - Thursday, 8.30am - 5pm
Friday, 8.30am - 4.30pm
or visit www.baxitraining.co.uk

Please note calls may be monitored or recorded

Part of Baxi

Baxi, Brooks House, Coventry Road, Warwick CV34 4LL

www.baxi.co.uk



This Brochure is printed on paper sourced from well managed forests, controlled sources. This Brochure is printed using vegetable based inks. Please recycle this Brochure when you have finished with it.

Baxi policy is one of continual improvement and development. The right to change specification and appearance without prior notice is reserved. The reproduction of colours is as accurate as photographic and printing processes allow. The consumer's statutory rights are not affected. e&oe