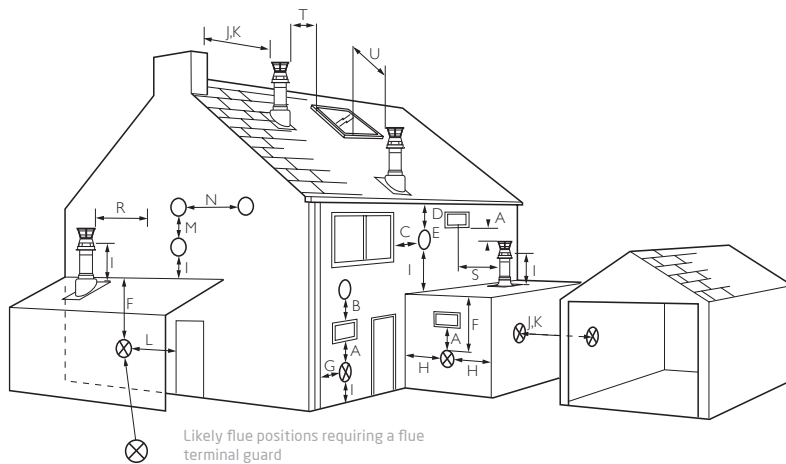


Flue solutions

Multifit flue kits come with positive screw fixings for all connections and are available in a choice of lengths to reduce the need for onsite cutting. We offer a choice of colour for the terminals to match existing rainwater systems.

	Flue type	Group A	Group G
Maximum permissible equivalent flue lengths for Baxi combi and system boilers are:	Horizontal concentric	10m	20m
	Vertical concentric	10m	20m
Maximum permissible equivalent flue lengths for Baxi heat only boilers are:	Horizontal concentric	6m	12m
	Vertical concentric	6m	12m

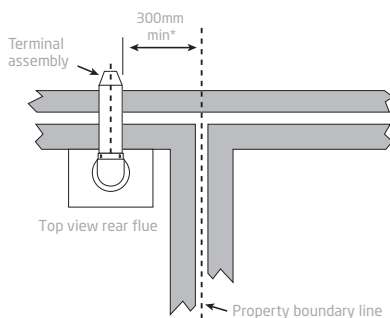
	Flue type	Group A	Reduction for each bend
Where inline bends are required in a flue system, the overall length must be reduced by the following amounts:	Concentric pipes	135° bend	0.5m
		93° bend	1m



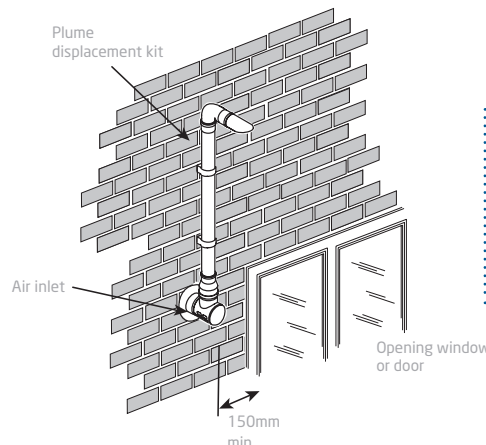
Terminal position with minimum distance (mm)

A ¹ Directly below an opening, air brick, opening windows etc	300
B ¹ Above an opening, air brick, opening window etc	300
C ¹ Horizontally to an opening, air brick, opening window etc	300
D ² Below gutters, soil pipes or drain pipes	25
E ² Below eaves	25
F ² Below balconies or car port roof	25
G ² From a vertical drain pipe or soil pipe	25
H ² From an internal or external corner	25
I Above ground, roof or balcony level	300
J From a surface or boundary line facing a terminal	600
K From a terminal facing a terminal (Horizontal flue)	1200
K From a terminal facing a terminal (Vertical flue)	600
L From an opening in a carport (e.g. door, window) into the dwelling	1200
M Vertically from a terminal on the same wall	1500
N Horizontally from a terminal on the same wall	300
R From adjacent wall to flue (vertical only)	300
S From an adjacent opening window (vertical only)	300
T Adjacent to windows or openings on pitched and flat roofs	600
U Below windows or openings on pitched roofs	2000

- In addition, the terminal should be no nearer than 150mm to an opening in the building fabric formed for the purpose of accommodating a built-in element such as a window frame.
- Only ONE 25mm clearance is allowed per installation. If one of the dimensions D, E, F, G or H is 25mm then the remainder MUST be as B.S.5440-1.



NOTE: The distance from a fanned draught appliance terminal installed parallel to a boundary may not be less than 300mm in accordance with the diagram.



IMPORTANT: If fitting a Plume Displacement Flue Kit, the air inlet must be a minimum of 150mm from any opening windows or doors

Flue solutions

Concentric flues Ø 60/100mm
Multifit Flue Group A



Horizontal telescopic flue inc. low profile elbow and fixing screws

COLOUR
White pipe / white terminal
SPECIFICATION
315mm - 500mm
DIAMETER
60/100mm
SALES CODE
720599401



Horizontal telescopic flue inc. low profile elbow and fixing screws

COLOUR
White pipe / black terminal
SPECIFICATION
315mm - 500mm
DIAMETER
60/100mm
SALES CODE
720598701



Horizontal telescopic flue inc. low profile elbow and fixing screws

COLOUR
White pipe / brown terminal
SPECIFICATION
315mm - 500mm
DIAMETER
60/100mm
SALES CODE
720642701



Standard horizontal flue inc. low profile elbow and fixing screws*

COLOUR
White pipe / black terminal
SPECIFICATION
685mm
DIAMETER
60/100mm
SALES CODE
7222019



135° flue bend inc. fixing screws

COLOUR
White
SPECIFICATION
135°
DIAMETER
60/100mm
SALES CODE
720648501



135° flue bend inc. fixing screws (pair)

COLOUR
White
SPECIFICATION
135°
DIAMETER
100mm
SALES CODE
720647901



93° flue bend inc. fixing screws

COLOUR
White
SPECIFICATION
93°
DIAMETER
60/100mm
SALES CODE
720648401



Flue terminal deflector

COLOUR
White
DIAMETER
60mm
SALES CODE
720644201



Flue terminal deflector

COLOUR
Black
DIAMETER
60mm
SALES CODE
5111068



Flue terminal deflector

COLOUR
Brown
DIAMETER
60/100mm
SALES CODE
720644301



1m flue extension inc. fixing screws

COLOUR
White pipe
SPECIFICATION
1000mm
DIAMETER
60/100mm
SALES CODE
720648801



0.5m flue extension inc. fixing screws

COLOUR
White pipe
SPECIFICATION
500mm
DIAMETER
60/100mm
SALES CODE
720643001



0.25m flue extension inc. fixing screws

COLOUR
White pipe
SPECIFICATION
250mm
DIAMETER
60/100mm
SALES CODE
720643101



Offset adaptor elbow

COLOUR
White pipe
DIAMETER
60/100mm
SALES CODE
720635501



Stainless steel terminal guard - ø 60/100

COLOUR
S/S
SPECIFICATION
Stainless Steel
DIAMETER
>100mm
SALES CODE
720627901



Vertical flue terminal

COLOUR
Black
DIAMETER
60/100mm
SALES CODE
5118576



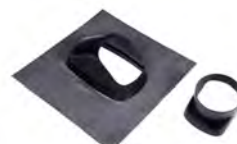
Vertical ridge flue terminal

COLOUR
Brown
DIAMETER
60/100mm
SALES CODE
720647101



Roof cover plate

DIAMETER
125mm
SALES CODE
246143



Pitched roof flashing

SPECIFICATION
25°/50°
DIAMETER
125mm
SALES CODE
5122151



Flat roof flashing

DIAMETER
125mm
SALES CODE
246144

*not compatible with 720627001 or 720622901

Flue solutions

Plume displacement kits Ø 60/100mm Multifit Flue Group A



Plume displacement terminal kit for telescopic flue inc. 1m extension and brackets**

COLOUR
White

DIAMETER
60mm
SALES CODE
720627001

**Only compatible with 720599401



Plume displacement terminal kit for telescopic flue inc. 1m extension and brackets***

COLOUR
Black

DIAMETER
60mm
SALES CODE
720622901

***Only compatible with 720598701



Plume displacement kit extension and brackets

COLOUR
White
SPECIFICATION
1000mm
DIAMETER
60mm
SALES CODE
720643401



Plume displacement kit extension and brackets

COLOUR
Black
SPECIFICATION
1000mm
DIAMETER
60mm
SALES CODE
720643301



Standard horizontal flue including plume displacement kit

COLOUR
White
SPECIFICATION
Includes flue kit and plume displacement
DIAMETER
60/100mm
SALES CODE
7225717



Standard horizontal flue including plume displacement kit

COLOUR
Black
SPECIFICATION
Includes flue kit and plume displacement
DIAMETER
60/100mm
SALES CODE
7225716



Plume displacement kit bend

COLOUR
White
SPECIFICATION
93°
DIAMETER
60mm
SALES CODE
5121369



Plume displacement kit bend - pair

COLOUR
White
SPECIFICATION
135°
DIAMETER
60mm
SALES CODE
5121370



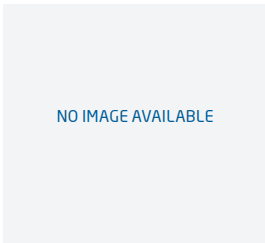
Plume displacement kit bend

COLOUR
Black
SPECIFICATION
93°
DIAMETER
60mm
SALES CODE
720648701



Plume displacement kit bend - pair

COLOUR
Black
SPECIFICATION
135°
DIAMETER
60mm
SALES CODE
720648601



Plume displacement terminal guard

COLOUR
Stainless steel
SPECIFICATION
100mm
DIAMETER
60mm
SALES CODE
720644601



Under balcony eaves flue kit

COLOUR
White
DIAMETER
60mm
SALES CODE
7211039



Under balcony eaves flue kit

COLOUR
Black
DIAMETER
60mm
SALES CODE
7211041

Flue solutions

Concentric flues Ø 80/125mm
Multifit Flue Group G



Horizontal flue inc. boiler and terminal adaptors

COLOUR
Black

DIAMETER
80/125mm
SALES CODE
5118580



1m flue extension

COLOUR
White
SPECIFICATION
1000mm
DIAMETER
80/125mm
SALES CODE
5118584



Flue bend

COLOUR
White
SPECIFICATION
91.5°
DIAMETER
80/125mm
SALES CODE
5118588



Flue bend (pair)

COLOUR
White
SPECIFICATION
135°
DIAMETER
80/125mm
SALES CODE
5118597



Pipe support bracket

COLOUR
White
SPECIFICATION
125mm flue pipes
DIAMETER
125mm
SALES CODE
5118610



Vertical flue terminal

COLOUR
Black

DIAMETER
80/125mm
SALES CODE
5111078



Roof cover plate

DIAMETER
125mm
SALES CODE
246143



Flue vertical adaptor

COLOUR
White

DIAMETER
80/125mm to 60/100mm
SALES CODE
5111070



Pitched roof flashing

SPECIFICATION
25°/50°
DIAMETER
125mm
SALES CODE
5122151



Flat roof flashing

DIAMETER
125mm
SALES CODE
246144